



| STANDARD EQUIPMENT | OPTIONS |
|--|--|
| Proportional controls with wired remote | 2'6" wide aluminum basket |
| Tracks driven by variable displacement motors and braking system | 5'9" wide aluminum basket |
| Tracks can be widened by 15" to increase stability while traveling | 7" display at the ground control station |
| 95 Ah AGM Starting Battery | Wireless radio remote control with battery charger in basket and back-up wire |
| 11.5 US gal oil tank | 420° rotation (+/- 210°) |
| Easy access throughout the unit with quick remove doors and covers | 10 HP Diesel Hatz Engine w/ 1.4 US gal tank |
| Automatic stabilization and slope sensor | All Electric LiPo power option <i>Zero Emission</i> |
| Emergency lowering valves and hand pump | Non-marking tracks |
| 4'6" wide aluminum basket with integrated ladder | Junction debris protection kit |
| 110V socket in the basket | 12V Emergency electric pump |
| USB plug in the basket | Single phase 110V/12A motor with plug for all-electric operation |
| High durability tracks | Air&water line in basket |
| 4" Display on the ground control station | Auto stowing function |
| All wiring inside to boom to protect from damage | Toolbox |
| Jib stow function to increase departure angle | 12Vdc light in basket |
| Electronic speed control | Custom colors |
| 3 travel speeds | Customized labels |
| Engine start/stop switch on the ground control station | Outrigger pads |
| Manual controls on the ground control station | Two security harnesses kit |
| Bypass key to override the safety features in case of emergency | Basket proximity sensor kit |
| Quick remove basket with built-in caster wheels | Extended warranty programs |
| Master/Slave hydraulic basket leveling | Activation of only one chosen work area with consequent block of the other areas |
| Engine Start/Stop from the Ground Control or the Remote | |
| Holding valves on all cylinders | |
| Pressure relief valves | |
| Hour meter | |
| 2 year machine warranty with 5 year structural warranty | |



AGENCY_ASUAR.IT

AL68

North American Distributor:

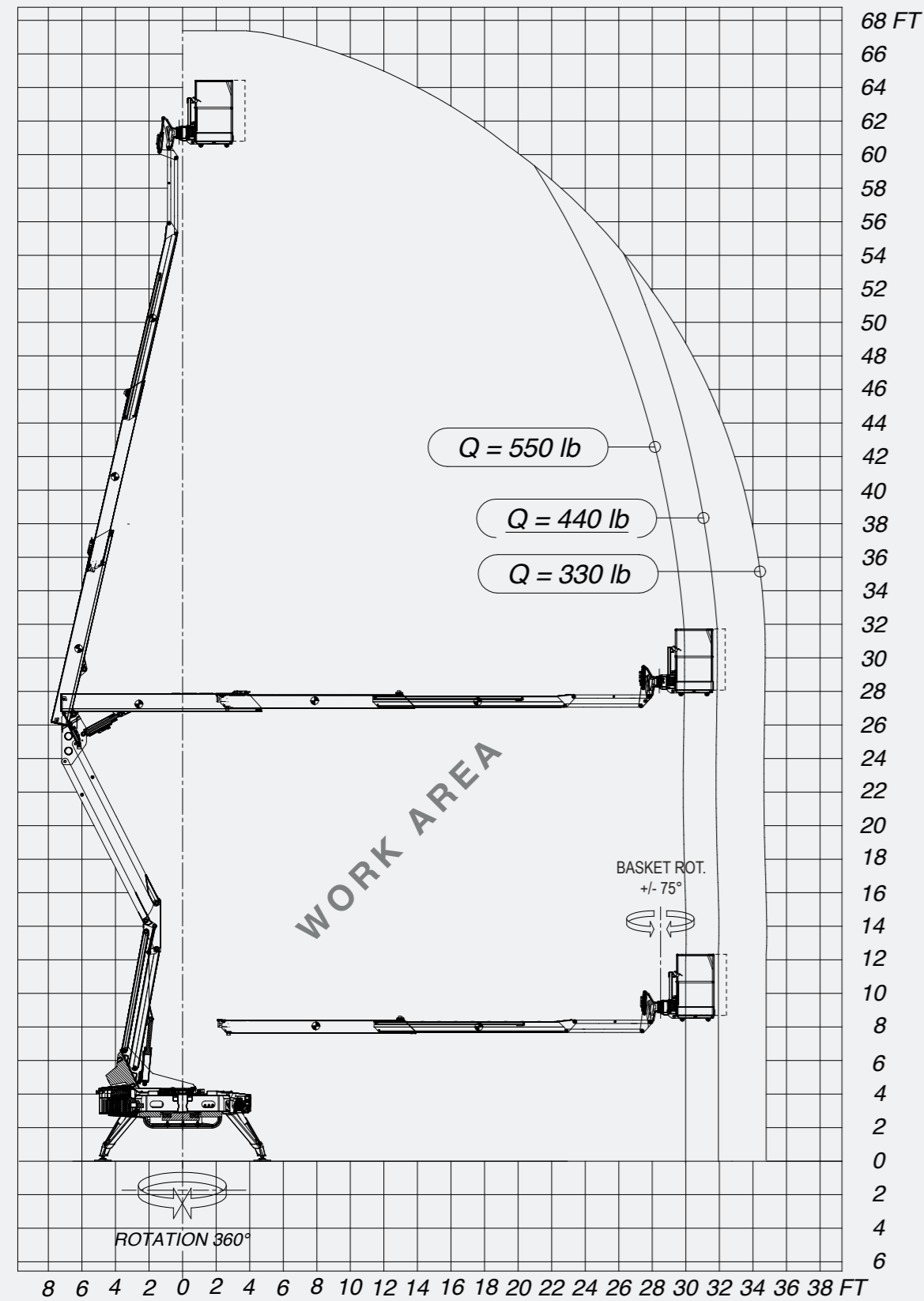


9725 Industrial Drive
Bridgeview, IL 60455

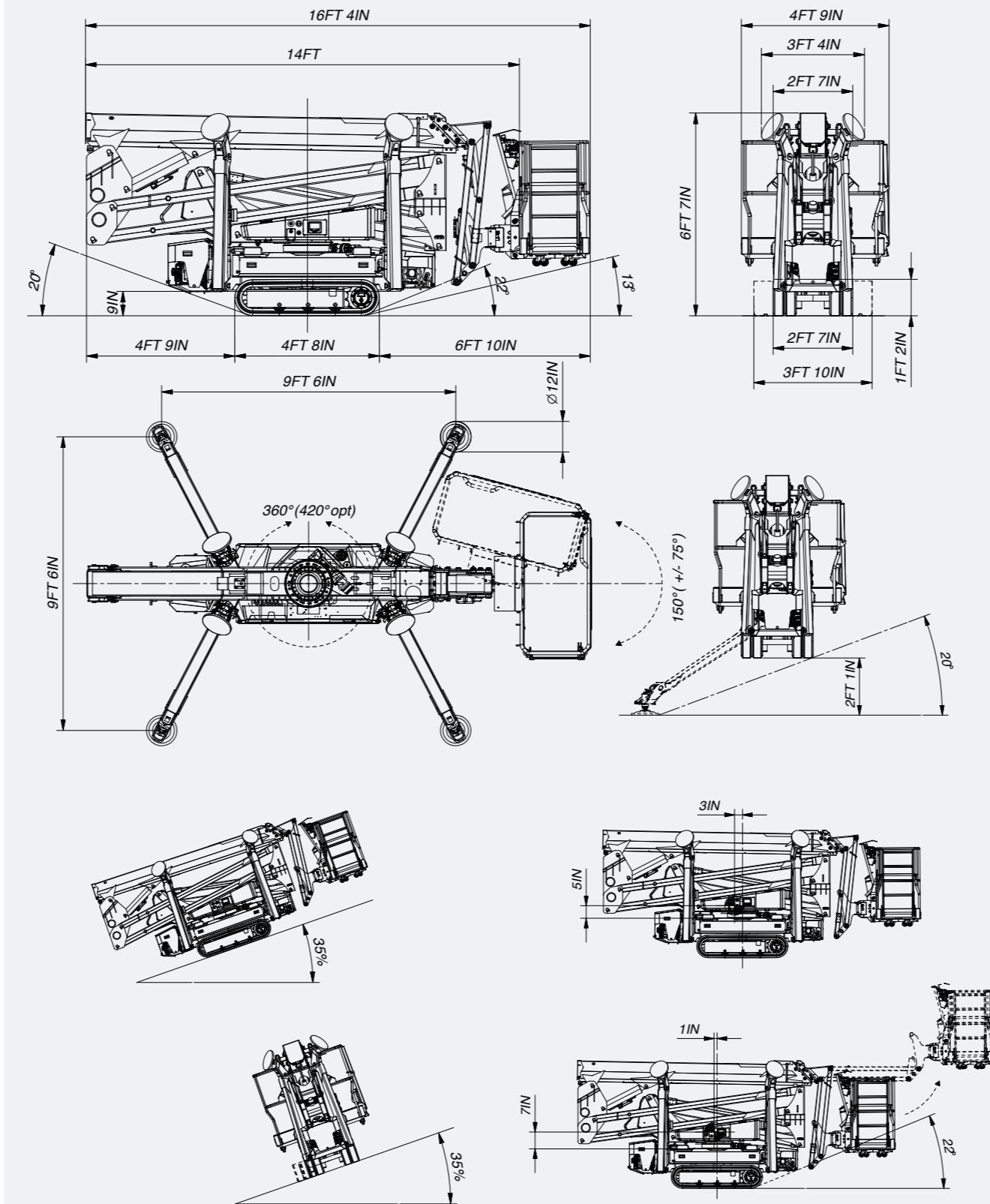
www.craneandmachinery.com



Work area



Technical drawings



Technical features

| | | | |
|---|---------------------------------------|------------------------------------|-------------------------------|
| Max working height | 67' 11" | Basket height | 3' 7" |
| Max platform height | 61' 4" | Basket length | 4' 7" |
| Max horizontal working outreach | 34' 9" | Basket width | 2' 4" |
| Up and over height | 26' 11" | Transport length | 16' 5" |
| Max load capacity | 550 lbs | Transport length without basket | 14' 1" |
| Aerial part controls | Wired control or Radio remote control | Transport height | 6' 6" |
| Outriggers - Crawler controls | Wired control or Radio remote control | Min transport width | 2' 7" |
| Basket material | Aluminum | Ground clearance | 10" |
| Jib articulation | 0-116° | Track footprint | 4' 8" x 10" |
| Jib - degree of rotation | NA | Open outriggers footprint | 9' 6" x 9' 6" |
| Basket - degree of rotation | +/- 75° | Semi-open outriggers footprint | NA |
| Column - degree of rotation | +/- 180° | Closed outriggers footprint | NA |
| Max ground slope working angle | 18° | Outrigger plate diameter | 1' |
| Stabilization height | 2' 1" | Weight of the standard unit | 5952 lb |
| Tracks width (Closed-Open) | 2' 7" - 3' 10" | Max ground pressure on tracks | 11,4 psi |
| Max slope allowed in travel mode | 35% | Max ground pressure on stabilizers | 48,4 psi |
| Max travel speed | 1,6 mph | Max reaction of stabilizers | 5291 lbf |
| Variable outriggers footprint | NA | Combustion engine STD | Gasoline Honda Igx390 11.7HP |
| Auto stowing function | Optional | Fuel tank | 1,6 gal |
| Automatic stabilization | ✓ | 110V Standard Electric Motor | 110V/12A |
| Jib stow function to increase departure angle | ✓ | Diesel engine option | Diesel Hatz 1B50E 10 HP |
| Emergency lowering system | ✓ | LiPo battery pack option* | 73.6 V - 7.4 kWh - 4kW engine |

*Combustion engine is excluded