

# Load Rating Chart

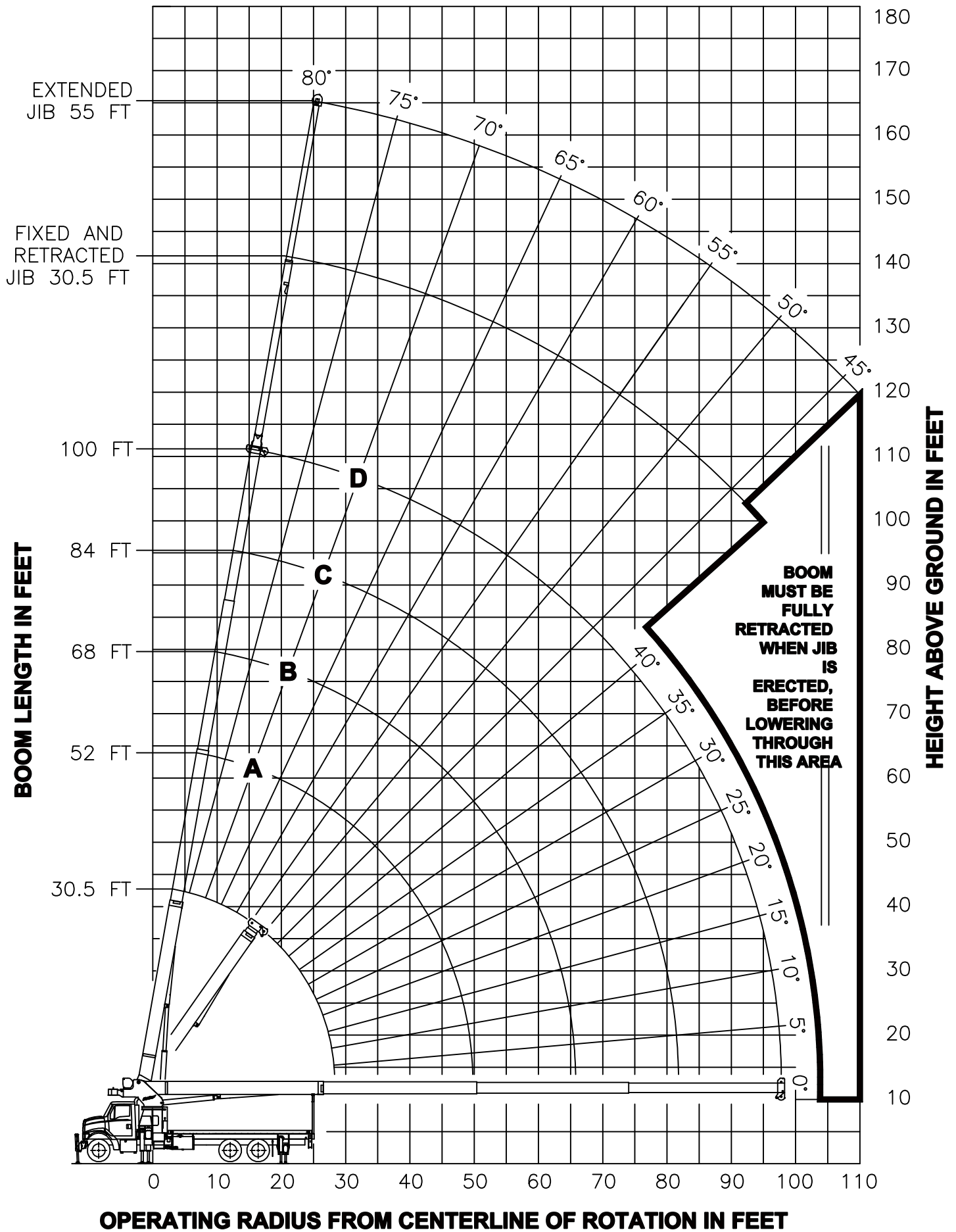
## *Model 35100C & 35100T*

***Manitex***

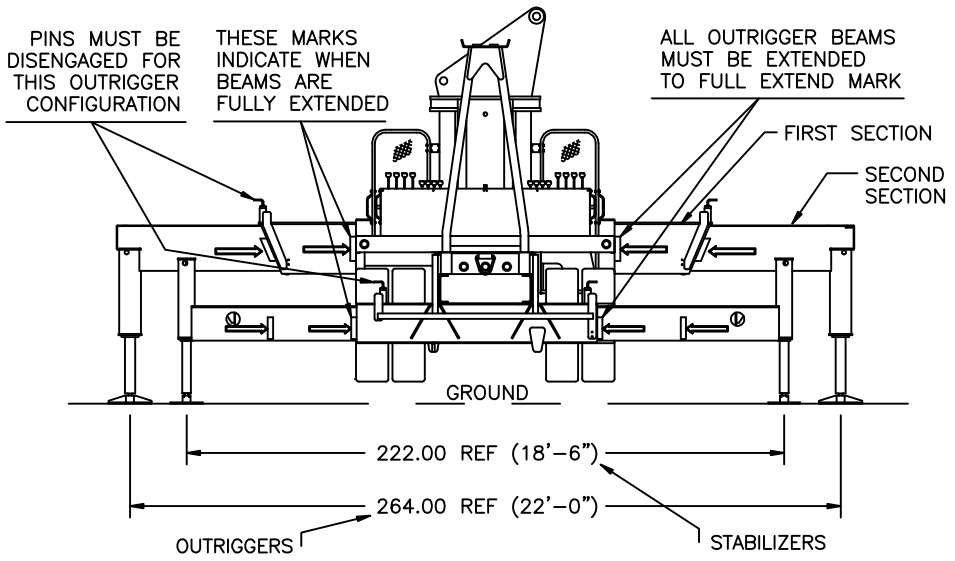
© Manitex

**NOTE:** Additional copies of this Load Rating Chart can be purchased from your Manitex Distributor. When ordering, use the part number shown in the bottom left corner of this page.

# RANGE DIAGRAM - FULL SPREAD CONFIGURATION -



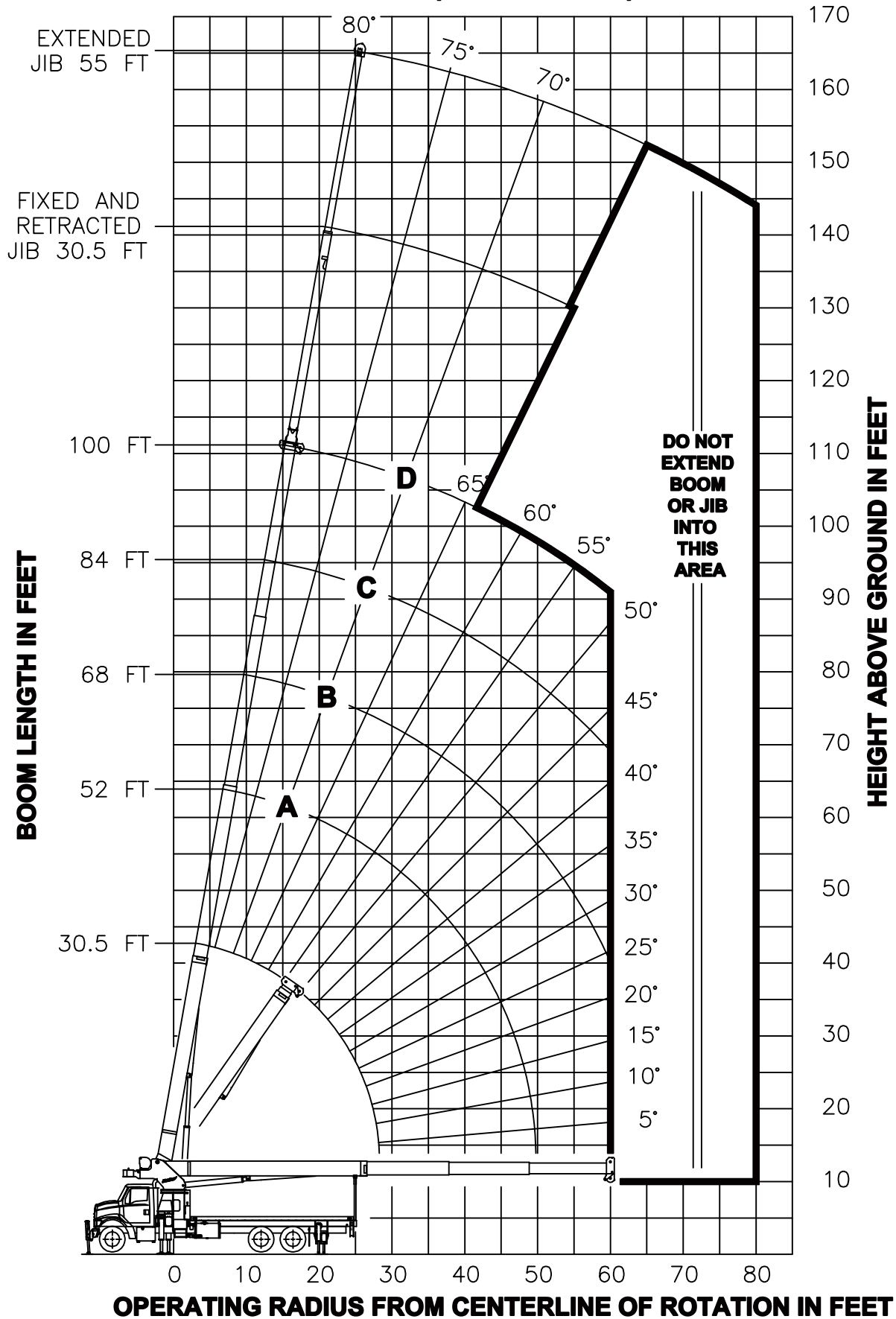
**USE THIS CHART ONLY  
WHEN OUTRIGGERS  
AND STABILIZERS ARE  
FULLY EXTENDED**



**- FULL SPREAD CONFIGURATION -**

MAIN BOOM LOAD RATINGS IN LBS										JIB LOAD RATINGS IN LBS						
OPERATING RADIUS	LMI CODE #1									OPERATING RADIUS	FIXED JIB		TELESCOPIC JIB			
	LOADED BOOM ANGLE, BOOM LENGTH AND MARKER										LMI CODE #2		LMI CODE #3		LMI CODE #4	
											JIB LENGTH FOR ALL BOOM LENGTHS SEE WARNING NOTE 4		JIB LENGTH FOR ALL BOOM LENGTHS SEE WARNING NOTE 4		JIB LENGTH FOR ALL BOOM LENGTHS SEE WARNING NOTE 4	
	A		B		C		D		BOOM ANGLE		JIB LENGTH	BOOM ANGLE	JIB LENGTH	BOOM ANGLE	JIB LENGTH	
°	30.5FT	°	52 FT	°	68FT	°	84 FT	°	100 FT	°	30.5FT	°	30.5 FT	°	55 FT	
6	80	70000														
8	76	53500														
10	72	45670								10						
12	68	39830	78	31500						12						
15	61	33660	75	30330	79	28500				15						
20	49	24380	69	23790	75	22580	79	21780	80	14000	20					
25	33	18310	62	18810	70	18470	75	17690	78	13500	25					
30			56	14700	65	14850	71	14760	75	13000	30	79	7300	79	7000	
35			48	11350	60	11530	67	11630	72	11700	35	77	7100	77	6800	
40			40	8910	55	9070	63	9170	69	9240	40	75	6800	75	6670	
45			29	7120	50	7290	59	7380	66	7440	45	73	6450	73	6060	
50					43	5930	55	6020	62	6080	50	71	5900	71	5510	
55					36	4860	51	4950	59	5000	55	68	5200	68	4790	
60					27	3990	46	4080	55	4140	60	65	4330	65	3920	
65					12	3280	40	3370	51	3430	65	63	3610	63	3200	
70							34	2770	47	2830	70	60	3010	60	2600	
75							27	2270	43	2320	75	57	2500	57	2090	
80							15	1830	38	1880	80	55	2060	55	1650	
85									33	1500	85	52	1680	52	1260	
90									26	1170	90	49	1350	49	930	
95									17	870	95	45	1050	45	630	
100											100	42	790			
105											105	38	550			
110											110					
	600 LBS.	350 LBS.	270 LBS.	220 LBS.	180 LBS.	DEDUCTIONS FOR STOWED FIXED JIB										
	900 LBS.	530 LBS.	400 LBS.	330 LBS.	290 LBS.	DEDUCTIONS FOR STOWED TELESCOPIC JIB										

# RANGE DIAGRAM - INTERMEDIATE SPREAD CONFIGURATION - (MID EXTEND)

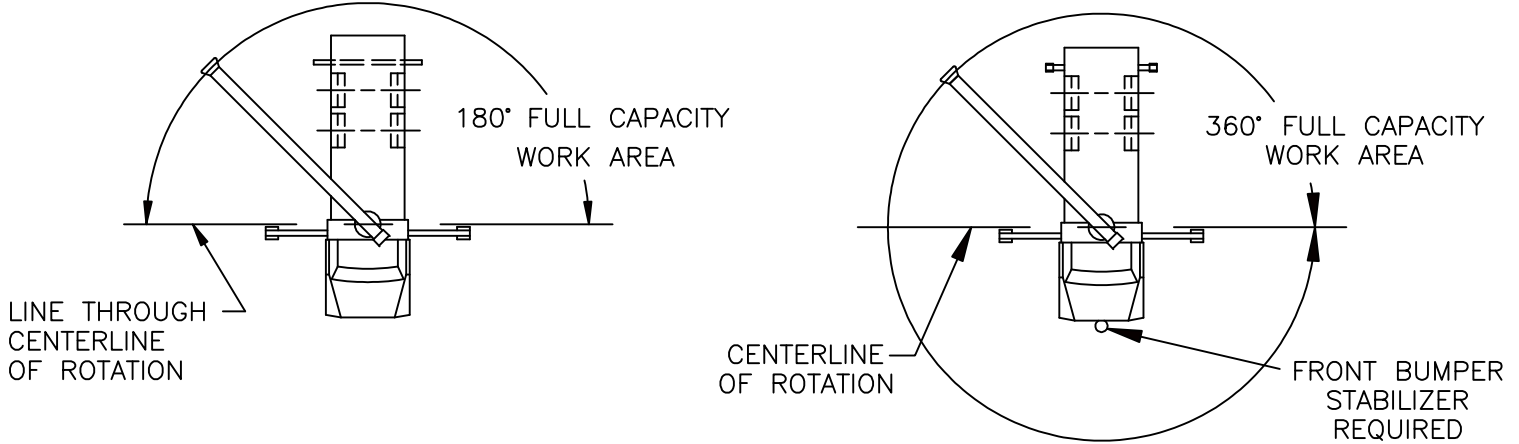


**NOTE : LIFTING PERSONNEL WITH CRANE IN THIS OUTRIGGER CONFIGURATION IS STRICTLY PROHIBITED. USE ONLY FULLY EXTENDED OUTRIGGER CONFIGURATION WHEN LIFTING PERSONNEL.**



ALLOWABLE LINE PULL								WARNING
1 PART LINE	2 PART LINE	3 PART LINE	4 PART LINE	5 PART LINE	6 PART LINE	7 PART LINE	8 PART LINE	
								<p>ANTI-TWO-BLOCK SYSTEM MUST BE IN GOOD OPERATING CONDITION BEFORE OPERATING CRANE.</p> <p>REFER TO THE OWNER'S MANUAL.</p> <p>KEEP AT LEAST 3 WRAPS OF LOAD LINE ON THE DRUM AT ALL TIMES.</p>
9080 LBS	18160 LBS	27240 LBS	36320 LBS	45400 LBS	54480 LBS	63560 LBS	70000 LBS	5/8" ROT RESISTANT (5.0:1 SF) - 45400 LBS MIN BREAKING STRENGTH
9500 LBS	19000 LBS	28500 LBS	38000 LBS	47500 LBS	57000 LBS	66500 LBS	70000 LBS	5/8" 6 X 25 IWRC (3.5:1 SF) - 33250 LBS MIN BREAKING STRENGTH

## AREA OF OPERATION



### DEDUCTIONS FROM RATED LOADS FOR LOAD HANDLING DEVICES SUPPLIED BY MANITEX.

- AUXILIARY BLOCK — — — — — 50 LBS
- OVERHAUL BALL — — — — — SEE OVERHAUL BALL MANUFACTURER NAMEPLATE
- LOAD BLOCK — — — — — SEE BLOCK MANUFACTURER NAMEPLATE
- HOSE REEL — — — — — 260 LBS
- SWING AROUND JIB — — — — — SEE LOAD CHART



## **WARNING (CONTINUED)**

8. PRACTICAL WORKING LOADS DEPEND ON SUPPORTING SURFACE, WIND, AND OTHER FACTORS AFFECTING STABILITY SUCH AS HAZARDOUS SURROUNDINGS, EXPERIENCE OF PERSONNEL, AND PROPER HANDLING, ALL OF WHICH MUST BE TAKEN INTO ACCOUNT BY THE OPERATOR.
9. THE MAXIMUM LOAD WHICH MAY BE TELESKOPED IS LIMITED BY HYDRAULIC PRESSURE, BOOM ANGLE, AND BOOM LUBRICATION. IT IS SAFE TO ATTEMPT TO TELESCOPE ANY LOAD WITHIN THE LIMITS OF THE LOAD RATING CHART.
10. LIFTING OFF THE MAIN BOOM POINT WHILE THE SWING AROUND JIB IS ERECTED IS NOT INTENDED OR APPROVED.
11. 360° AREA OF OPERATION IS ONLY VALID WITH THE USE OF A FRONT BUMPER STABILIZER.

## **INFORMATION**

1. DEDUCTIONS MUST BE MADE FROM RATED LOADS FOR STOWED JIB, OPTIONAL ATTACHMENTS, HOOKS, AND LOADBLOCKS (SEE DEDUCTION CHART). WEIGHTS OF SLINGS AND ALL OTHER LOAD HANDLING DEVICES SHALL BE CONSIDERED A PART OF THE LOAD.
2. LOAD RATINGS ABOVE THE HEAVY LINE ARE STRUCTURALLY LIMITED CAPACITIES. LOAD RATINGS BELOW THE HEAVY LINE ARE STABILITY LIMITED CAPACITIES AND DO NOT EXCEED 85% OF TIPPING.

## **DEFINITIONS**

1. OPERATING RADIUS IS THE HORIZONTAL DISTANCE FROM THE AXIS OF ROTATION TO THE CENTER OF THE VERTICAL HOIST LINE OR TACKLE WITH LOAD APPLIED.
2. LOADED BOOM ANGLE AS SHOWN IN THE COLUMN HEADED BY  $\angle$ , IS THE INCLUDED ANGLE BETWEEN THE HORIZONTAL AND LONGITUDINAL AXES OF THE BOOM BASE AFTER LIFTING RATED LOAD AT RATED RADIUS.