

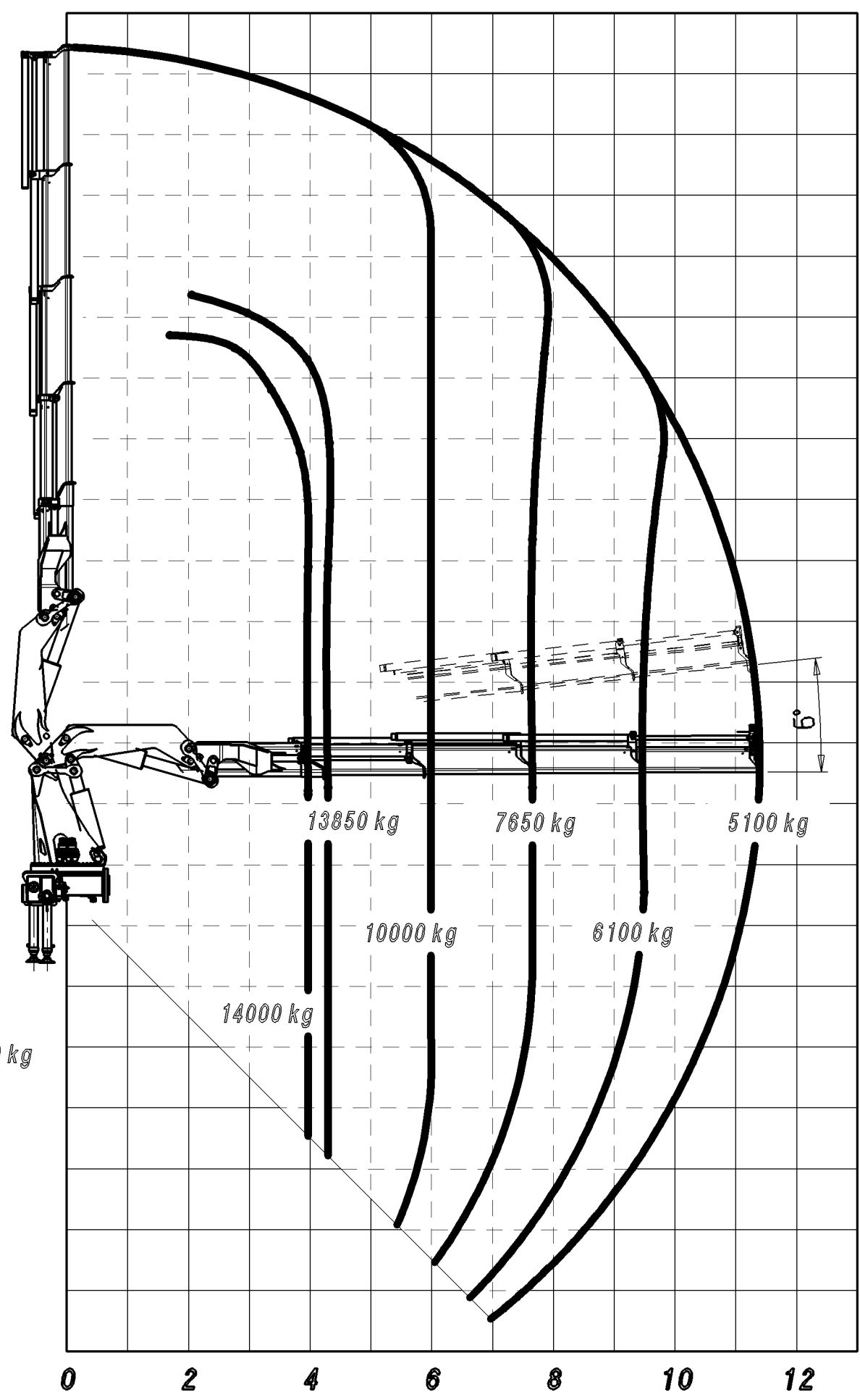
A

kg
m

B

C

16
14
12
10
8
6
4
2
0
-2
-4
-6

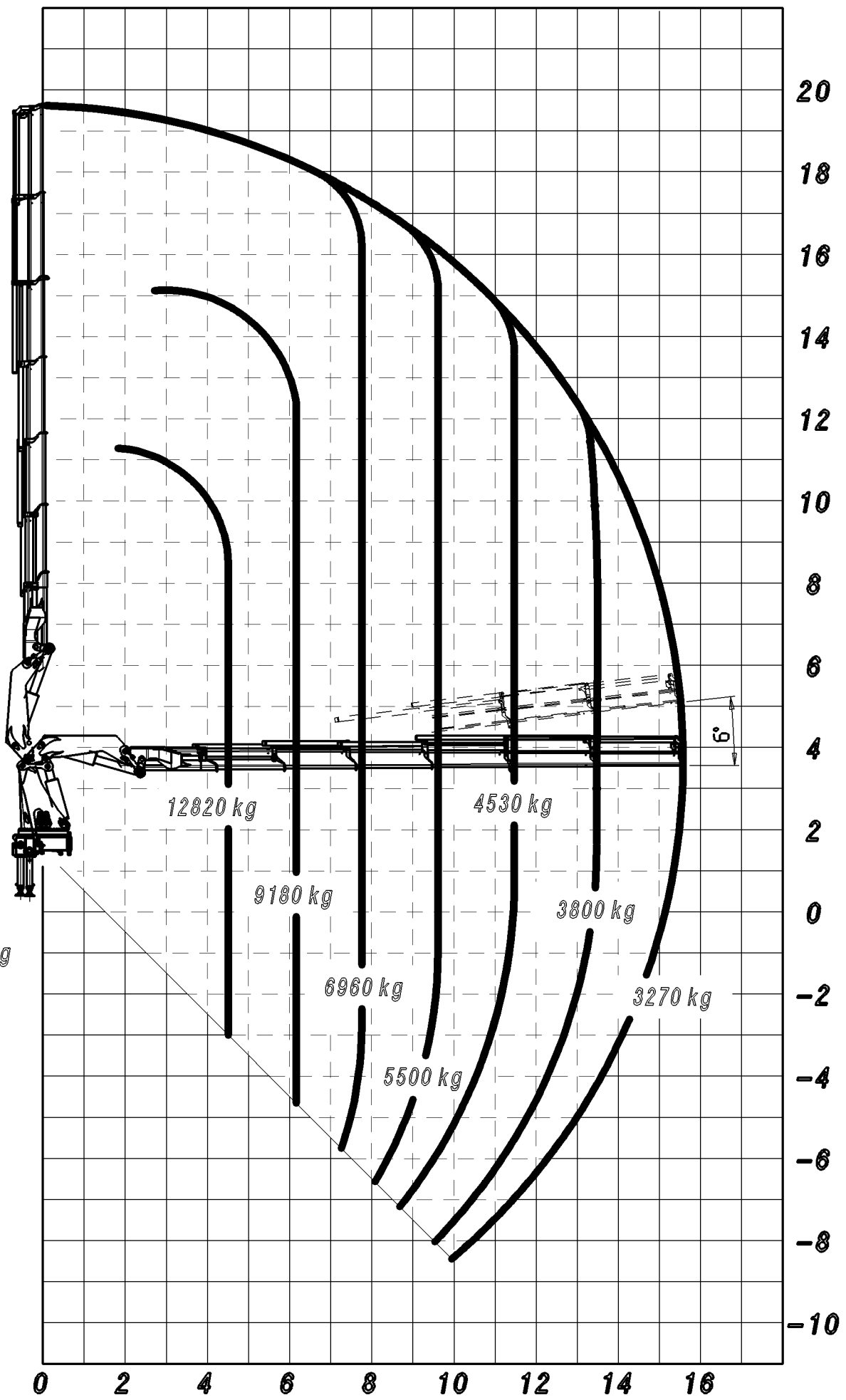


A

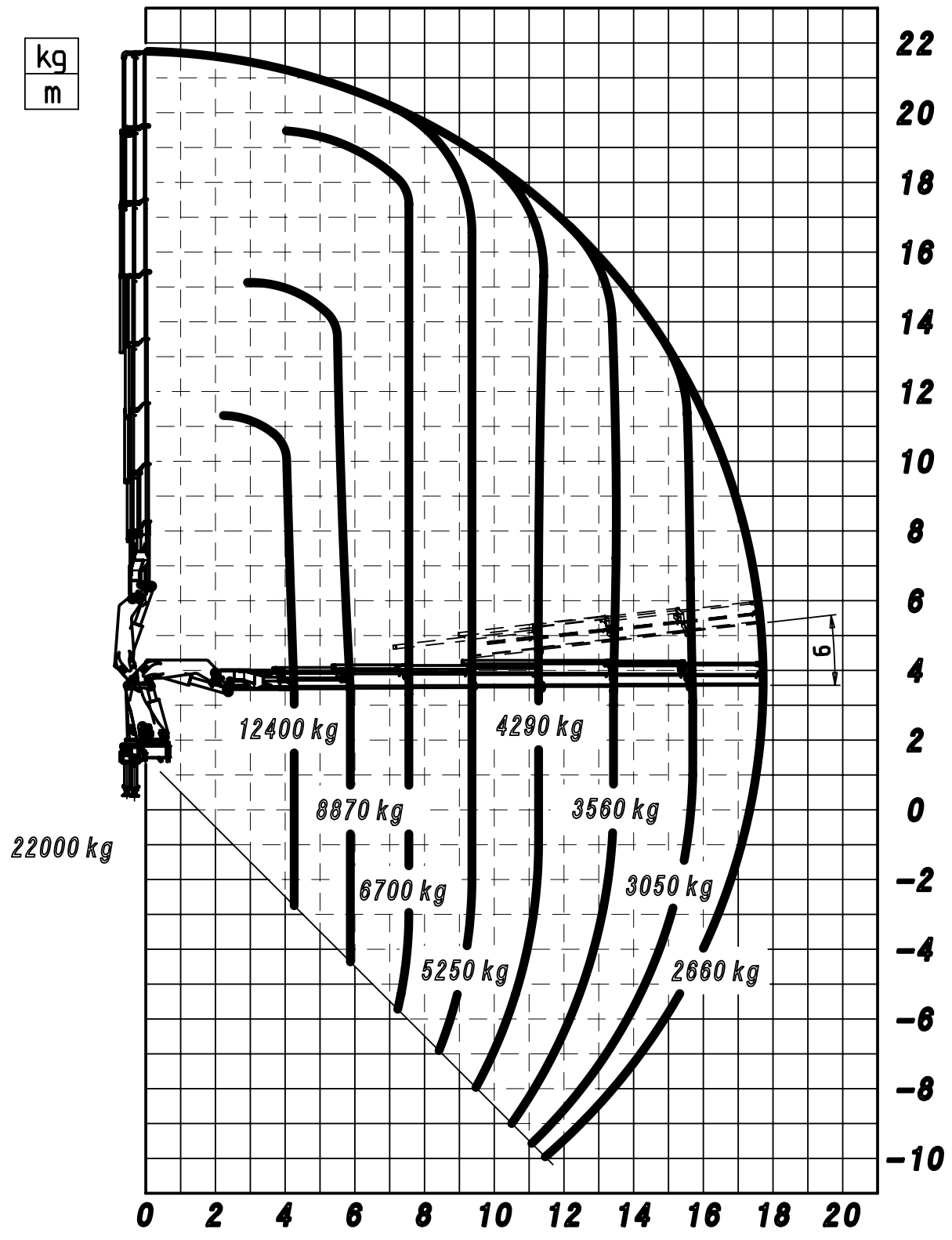
B

C

kg
m



kg
m

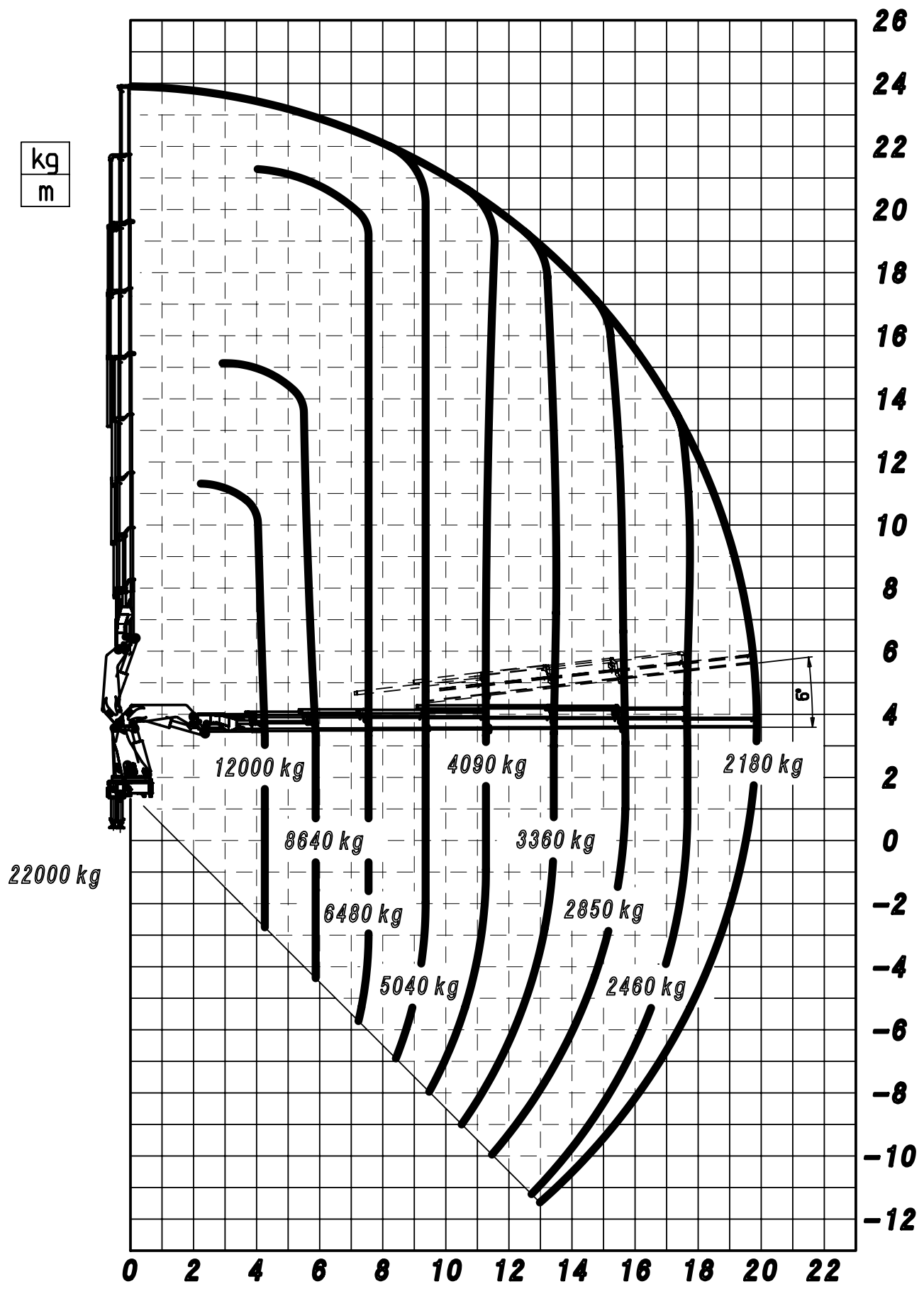


A

B

C

kg
m

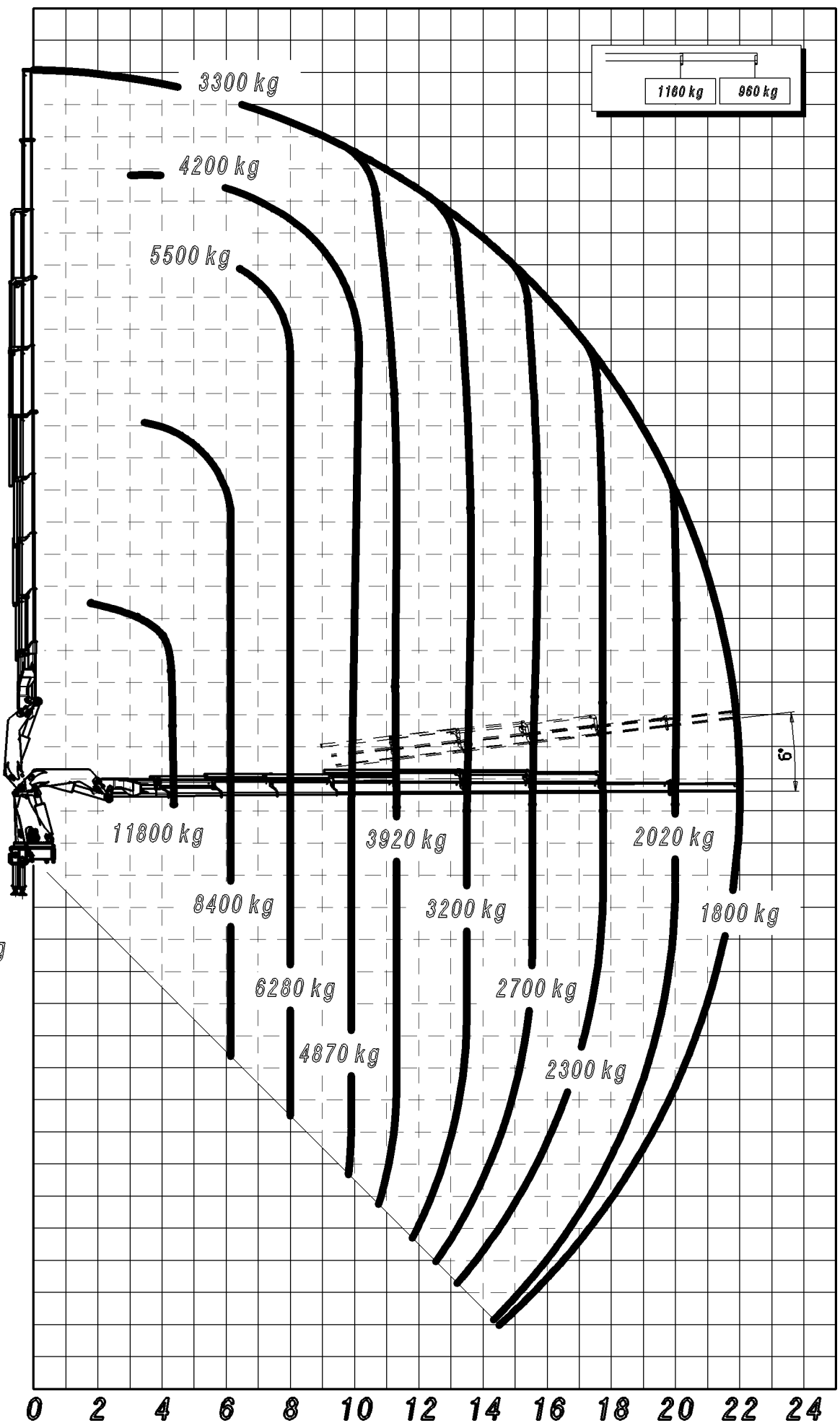


A

B

C

kg
m



** 65029 SP PT ** 190583

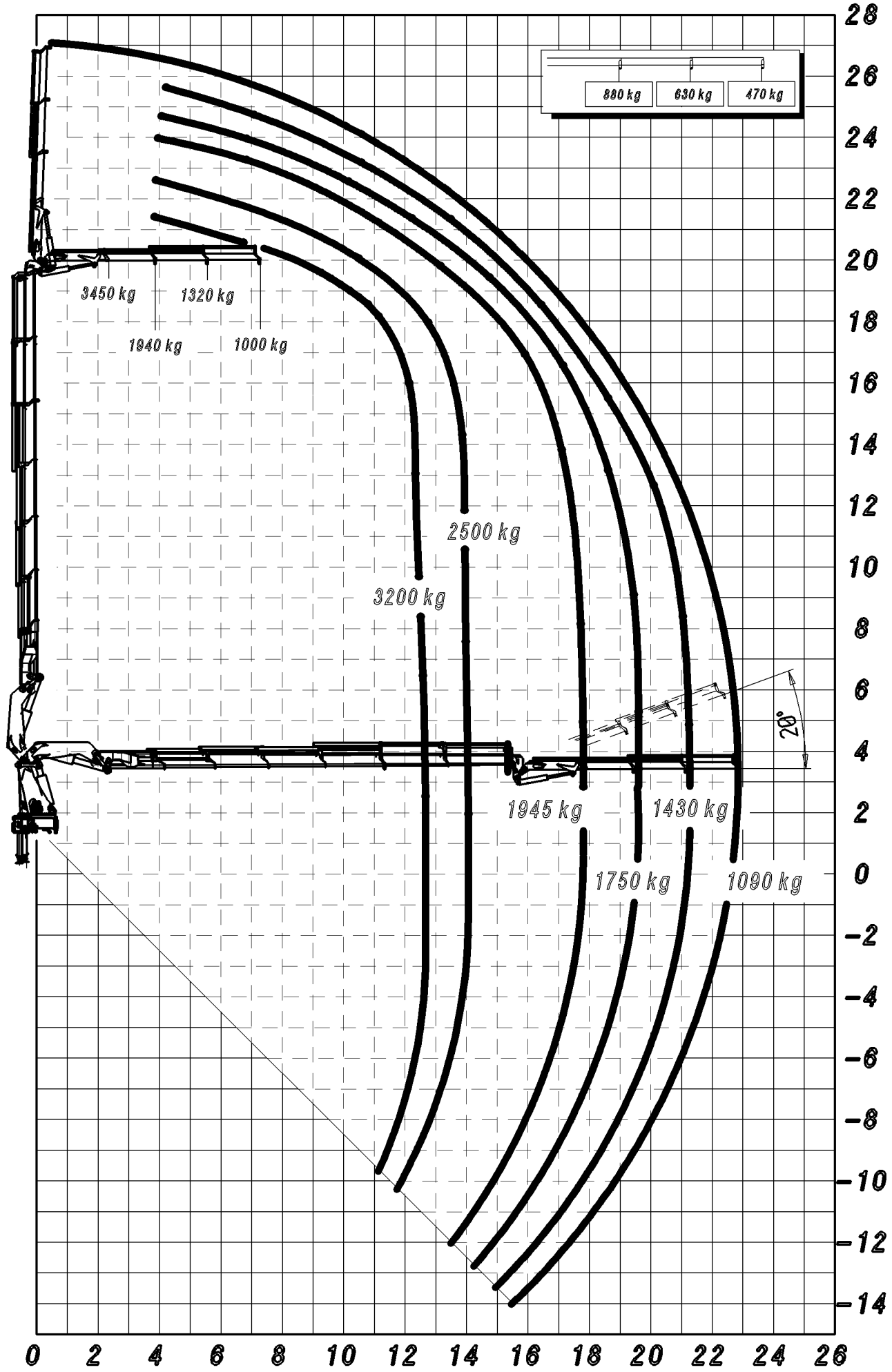
10/06/2006

A

B

C

kg
m



** 65026 SP PT+J903.20 ** 190588

06/10/2006

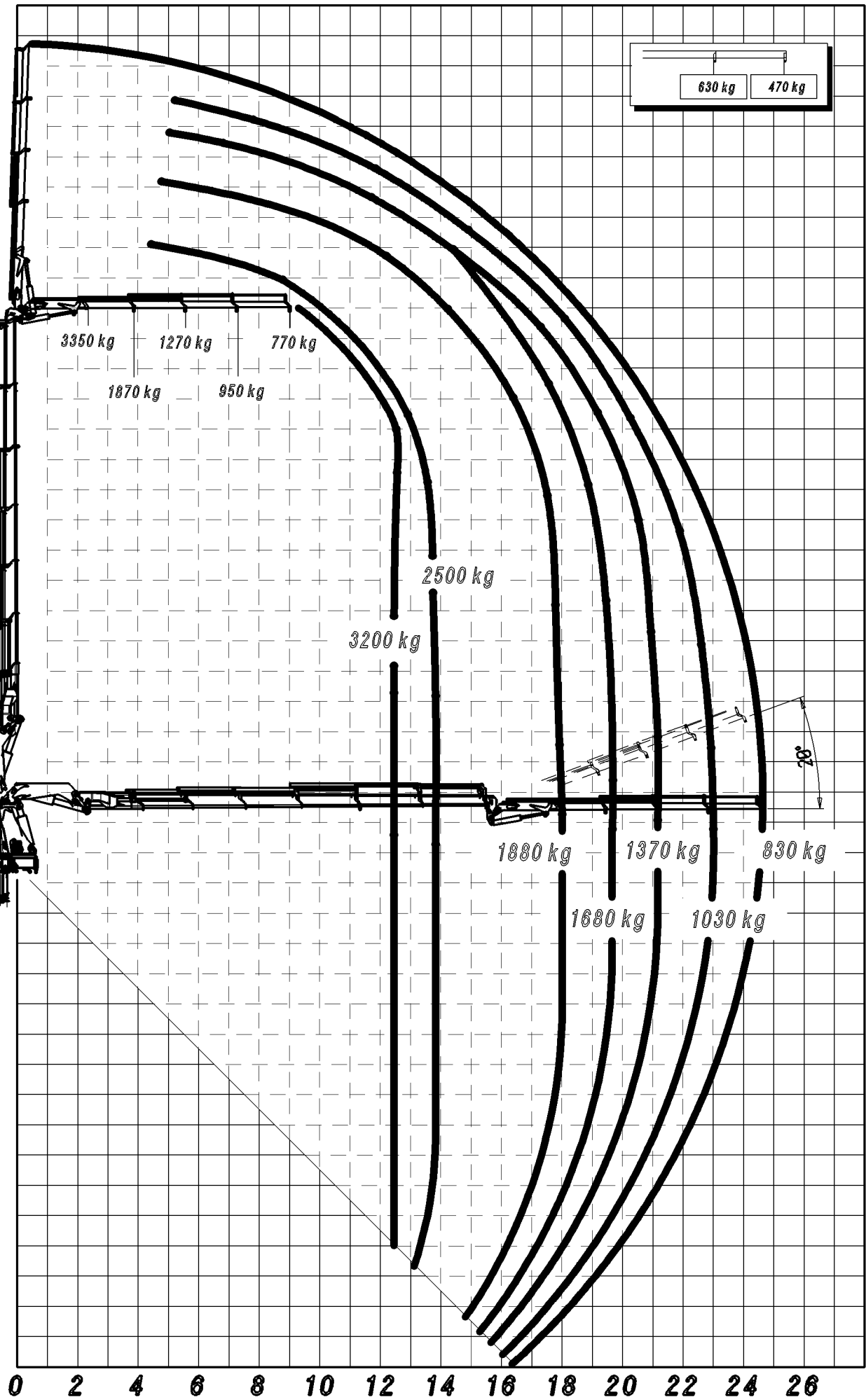
A

kg
m

B

C

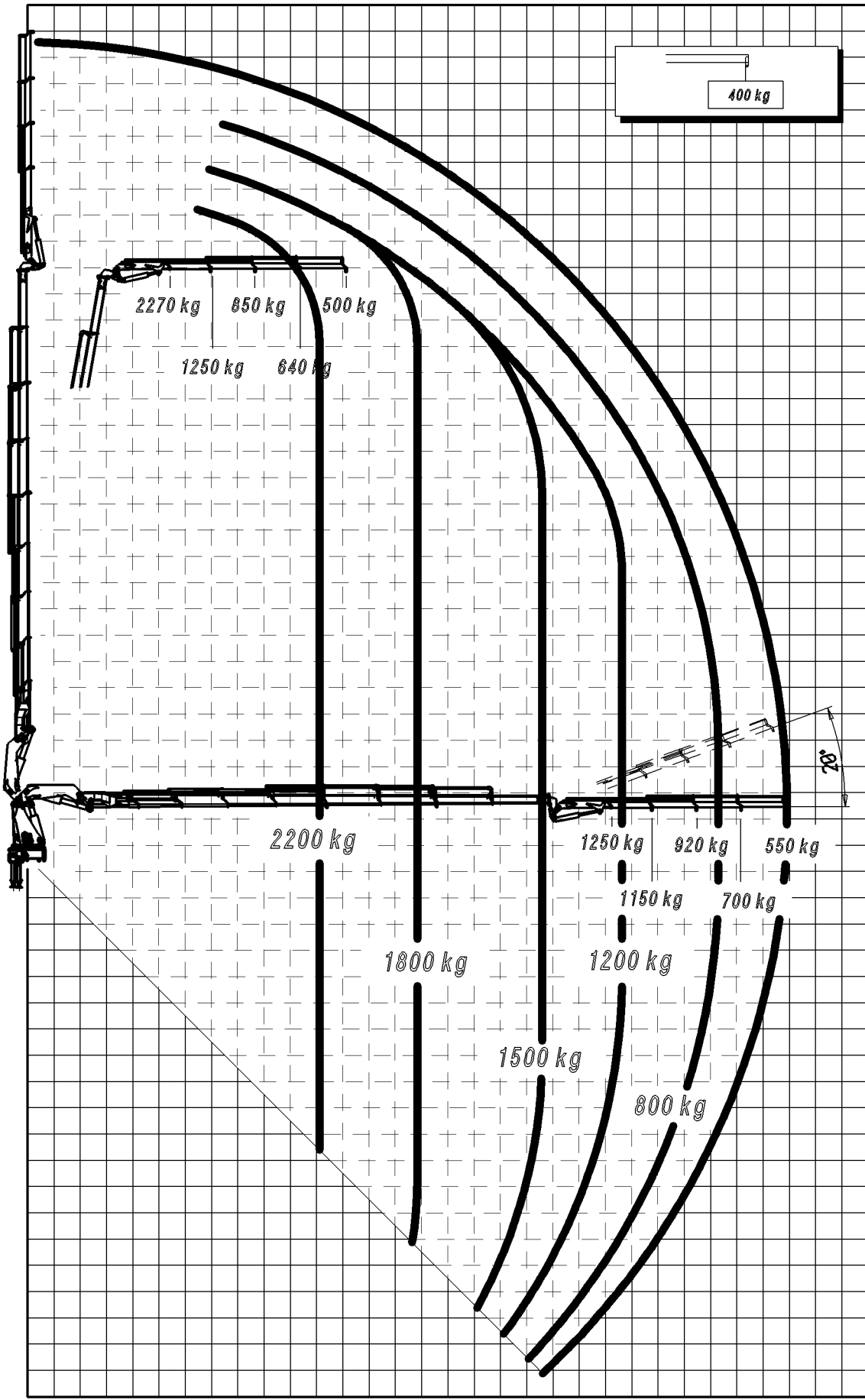
26
24
22
20
18
16
14
12
10
8
6
4
2
0
-2
-4
-6
-8
-10
-12
-14



** 65026 SP PT+J904.20 ** 190589

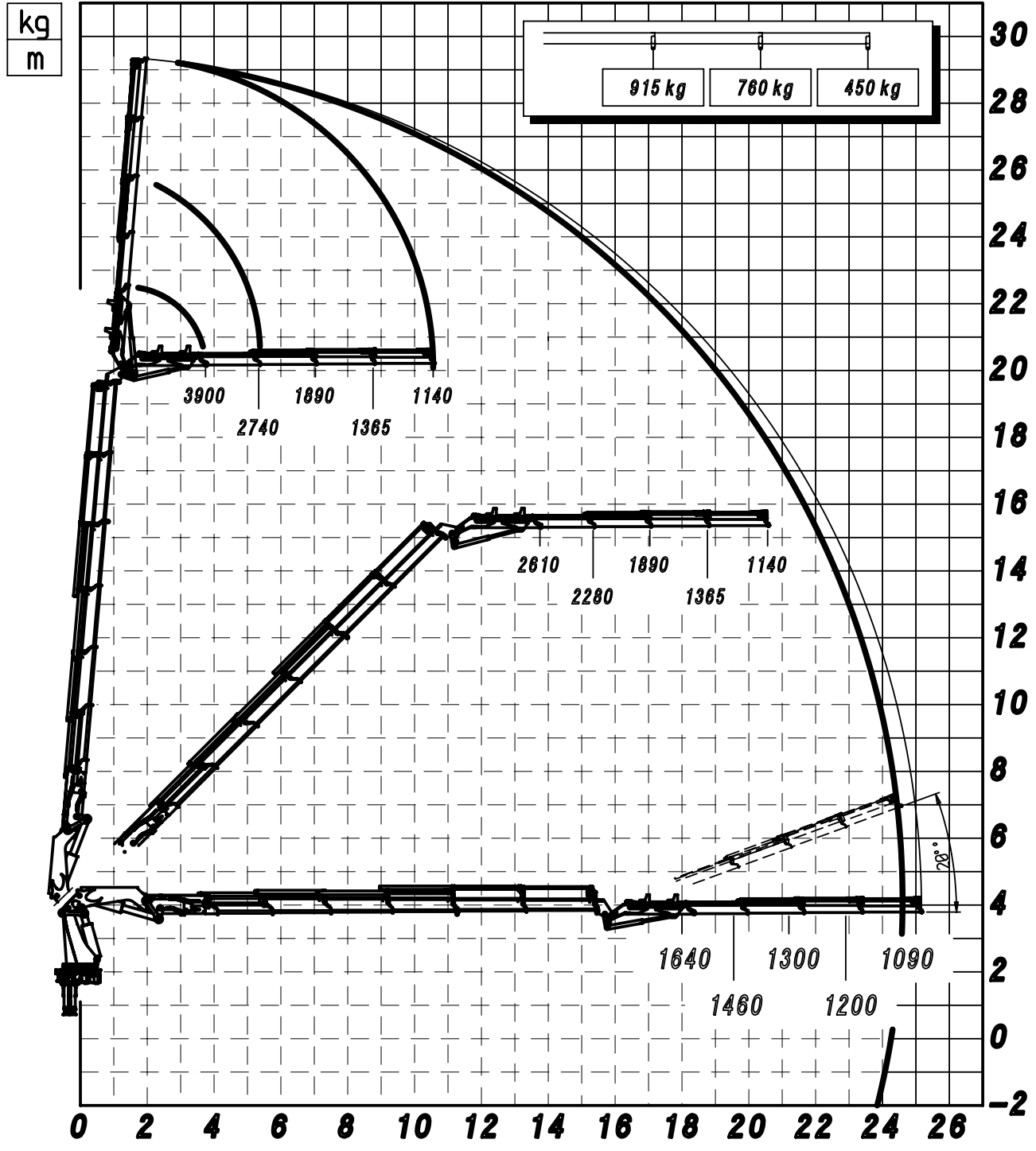
06/10/2006

kg
m



32
30
28
26
24
22
20
18
16
14
12
10
8
6
4
2
0
-2
-4
-6
-8
-10
-12
-14
-16
-18

0 2 4 6 8 10 12 14 16 18 20 22 24 26 28 30 32



** 65026 SP PT +J1414.20 ** 189835

20/06/2012

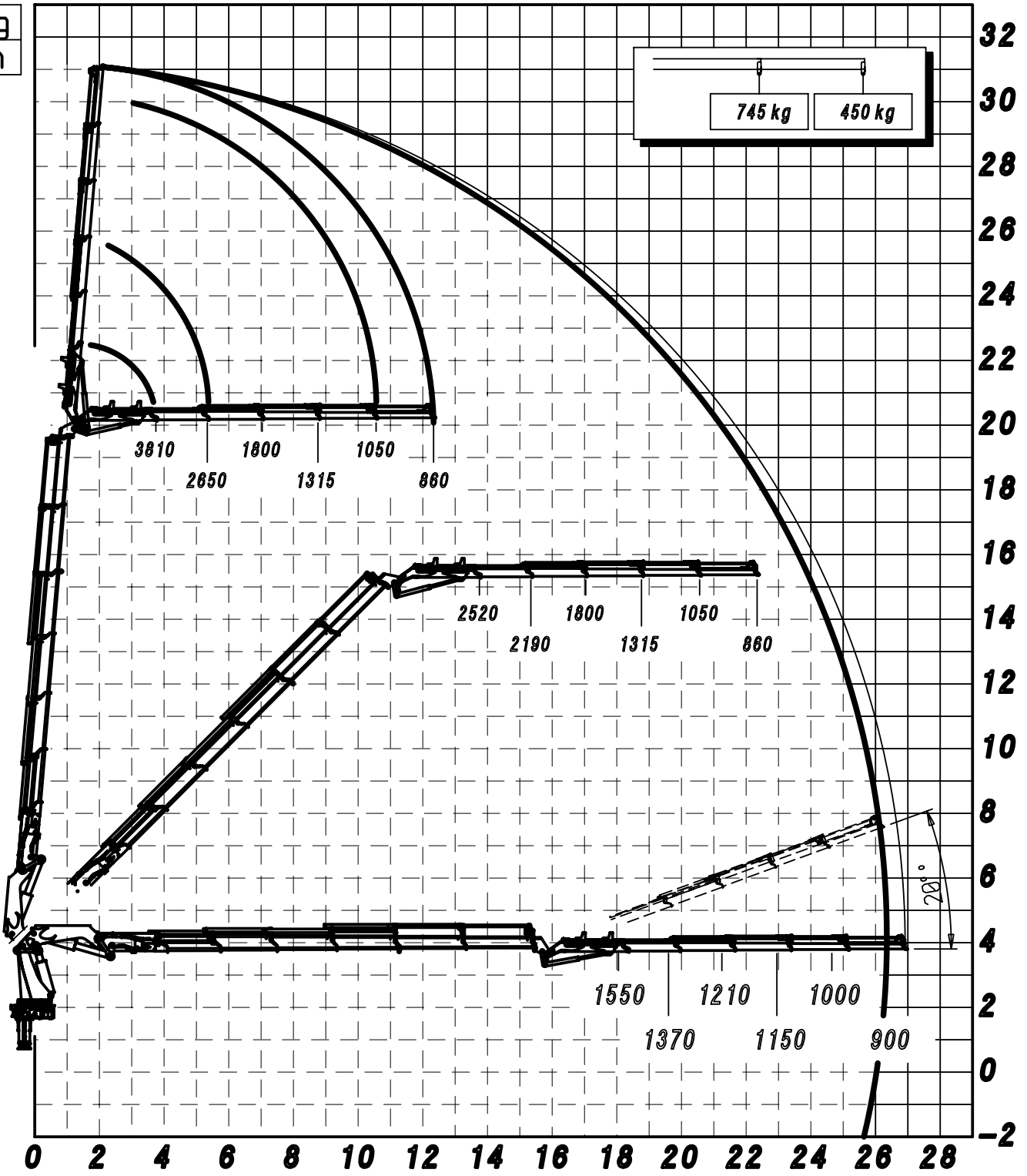
kg
m

745 kg 450 kg

A

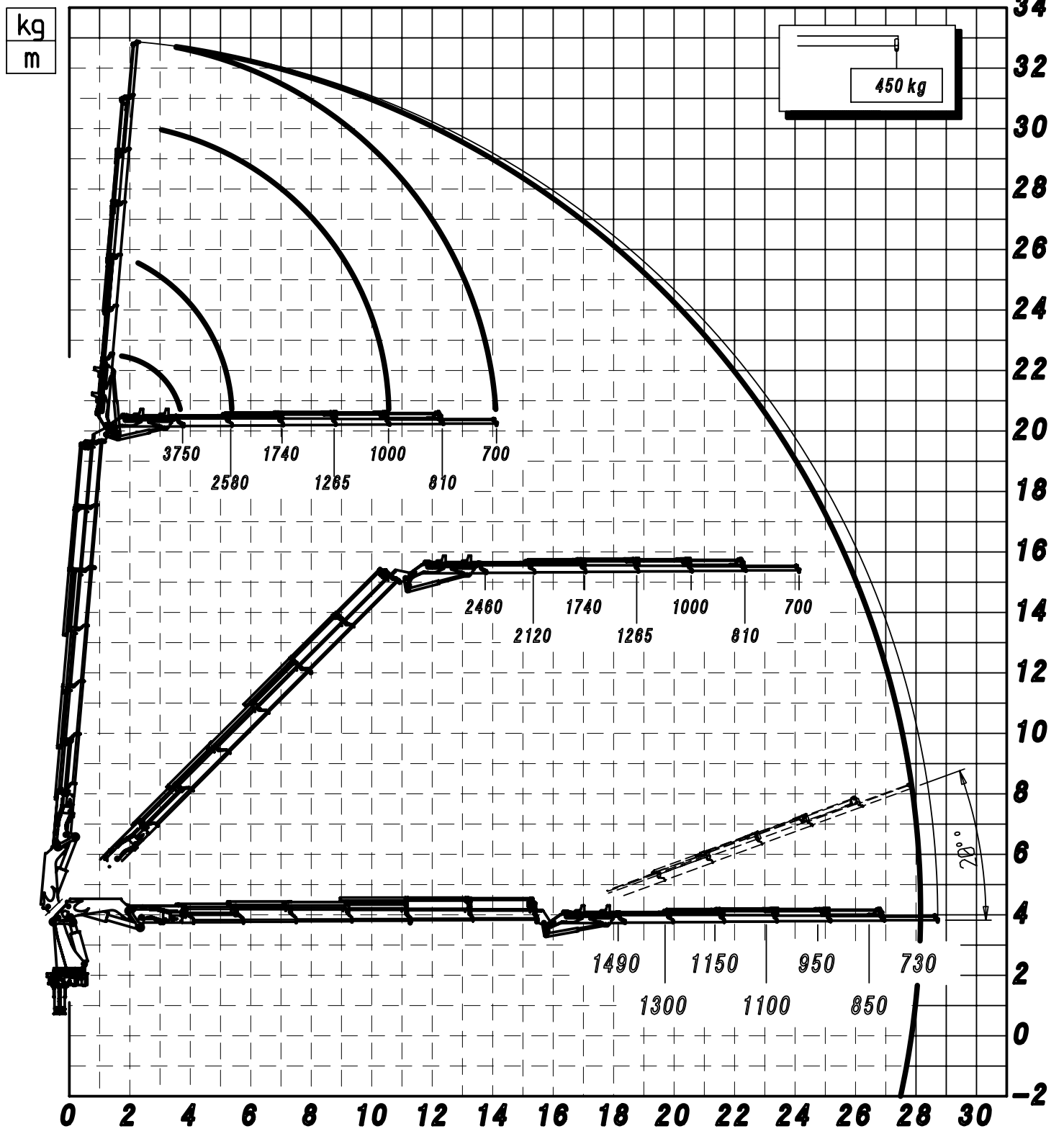
B

C



** 65026 SP PT +J1415.20 ** 189900

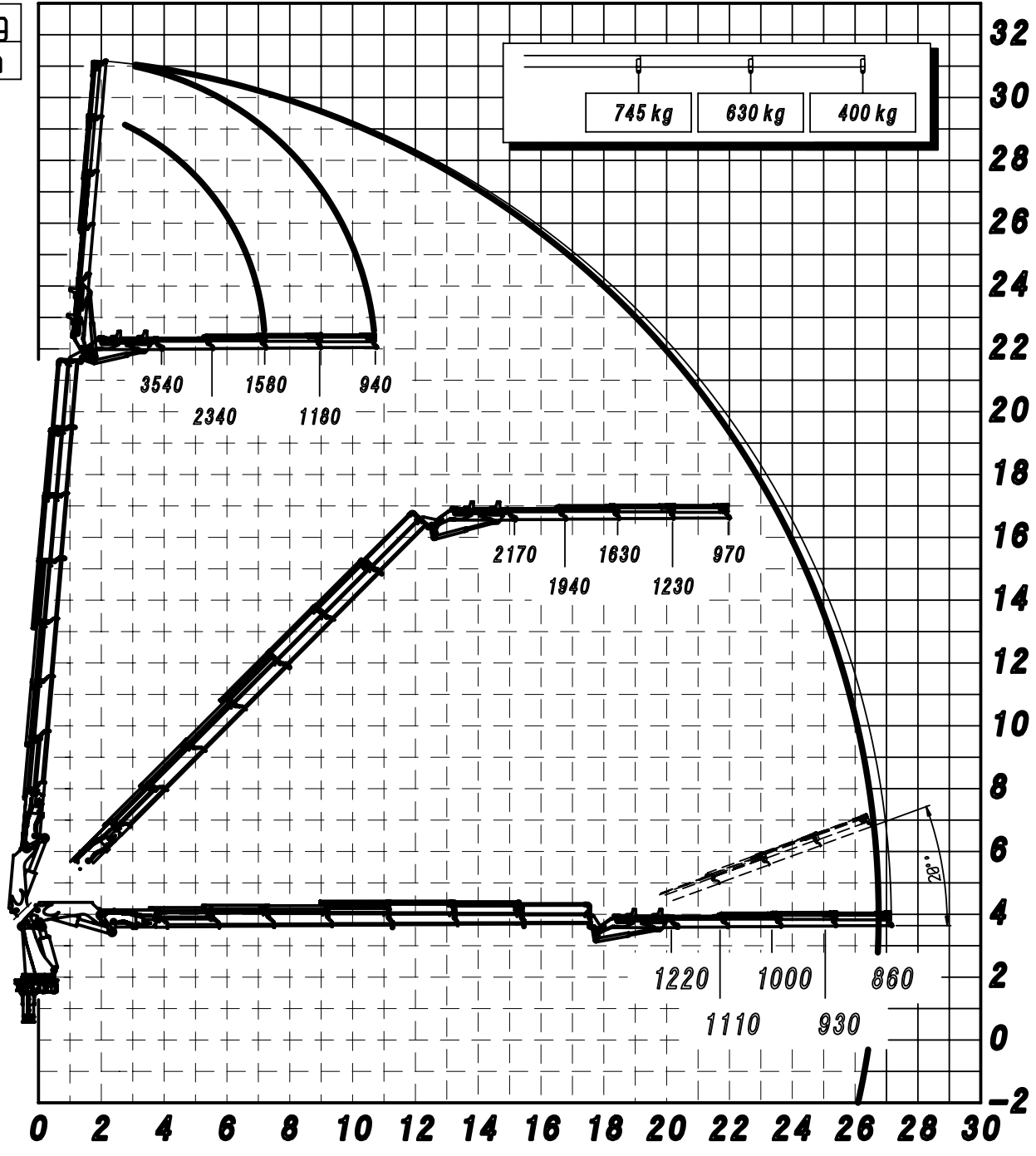
20/06/2012



** 65026 SP PT +J1416.20 ** 189773

08/06/2012

kg
m



kg
m

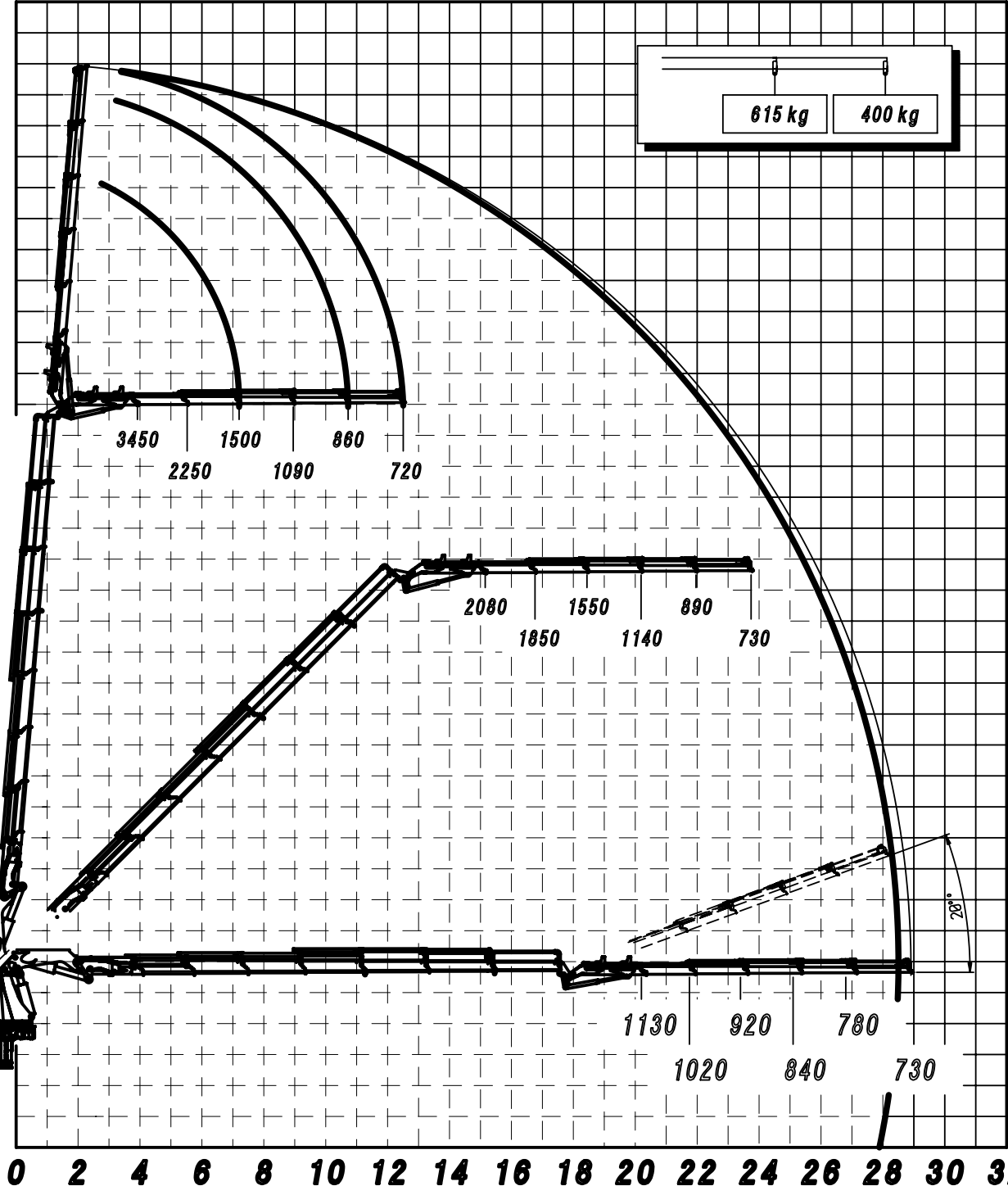
615 kg 400 kg

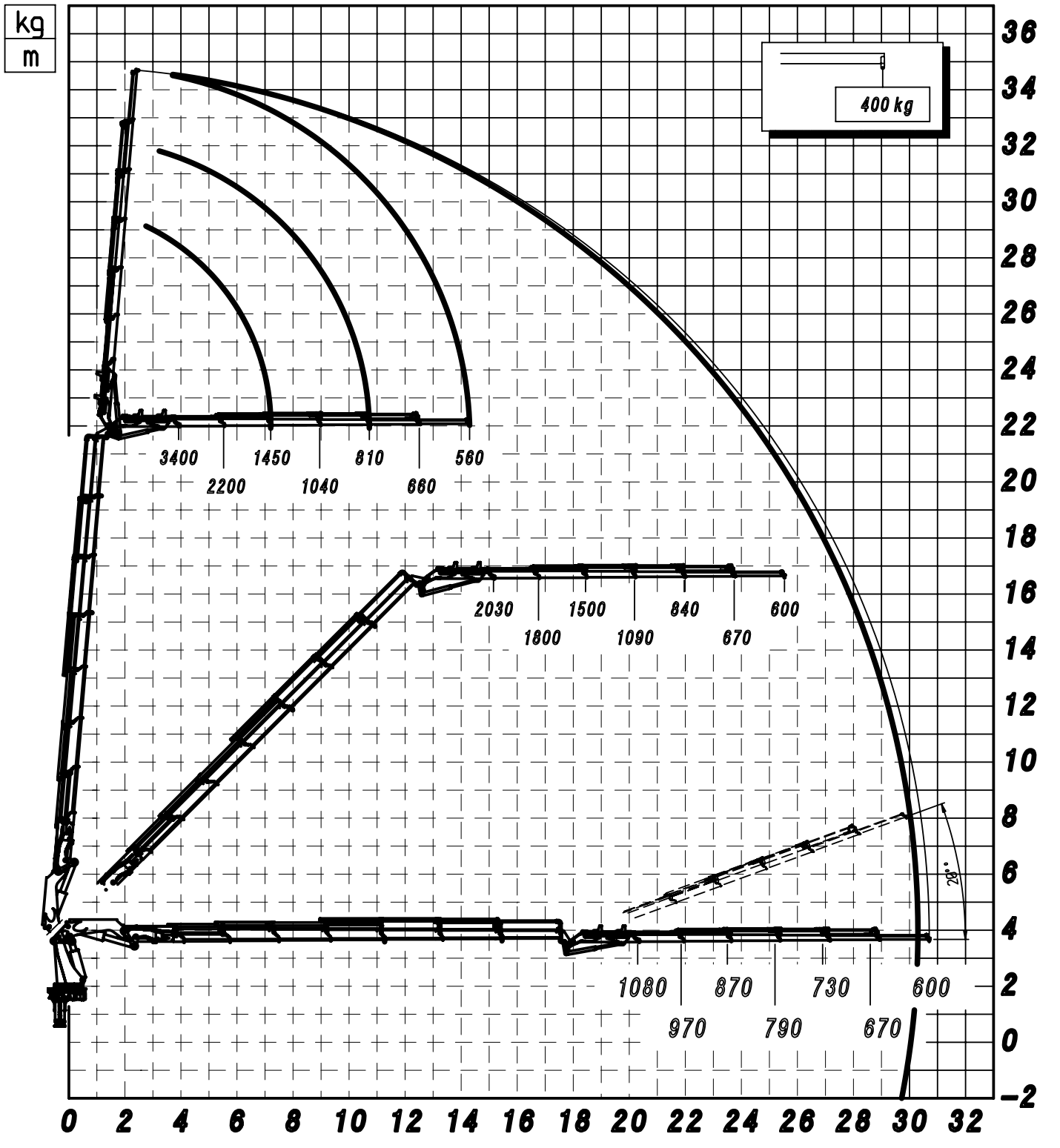
A

B

C

34
32
30
28
26
24
22
20
18
16
14
12
10
8
6
4
2
0
-2





** 65027 SP PT + J1216.20 ** 189901
11/06/2012

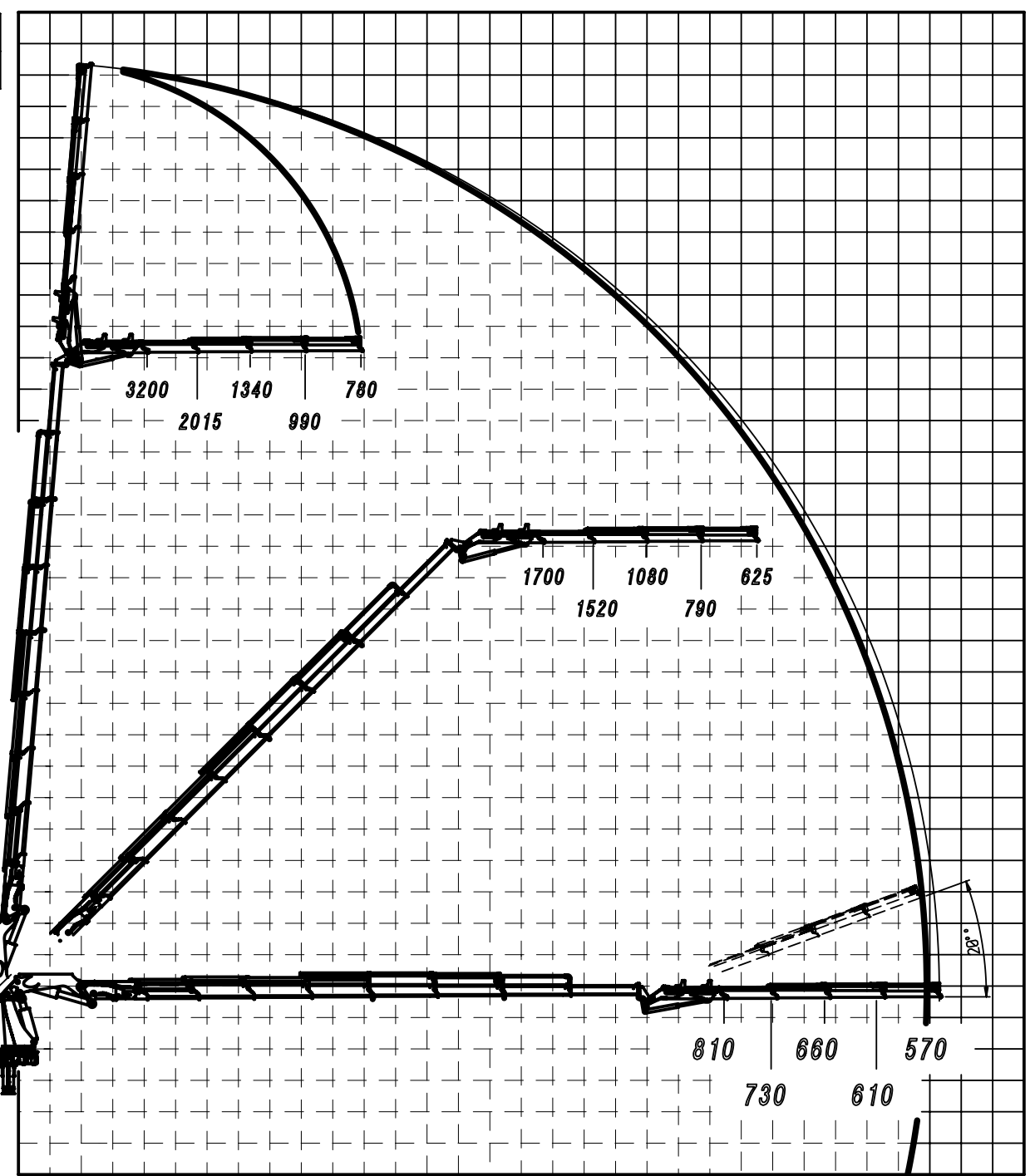
kg
m

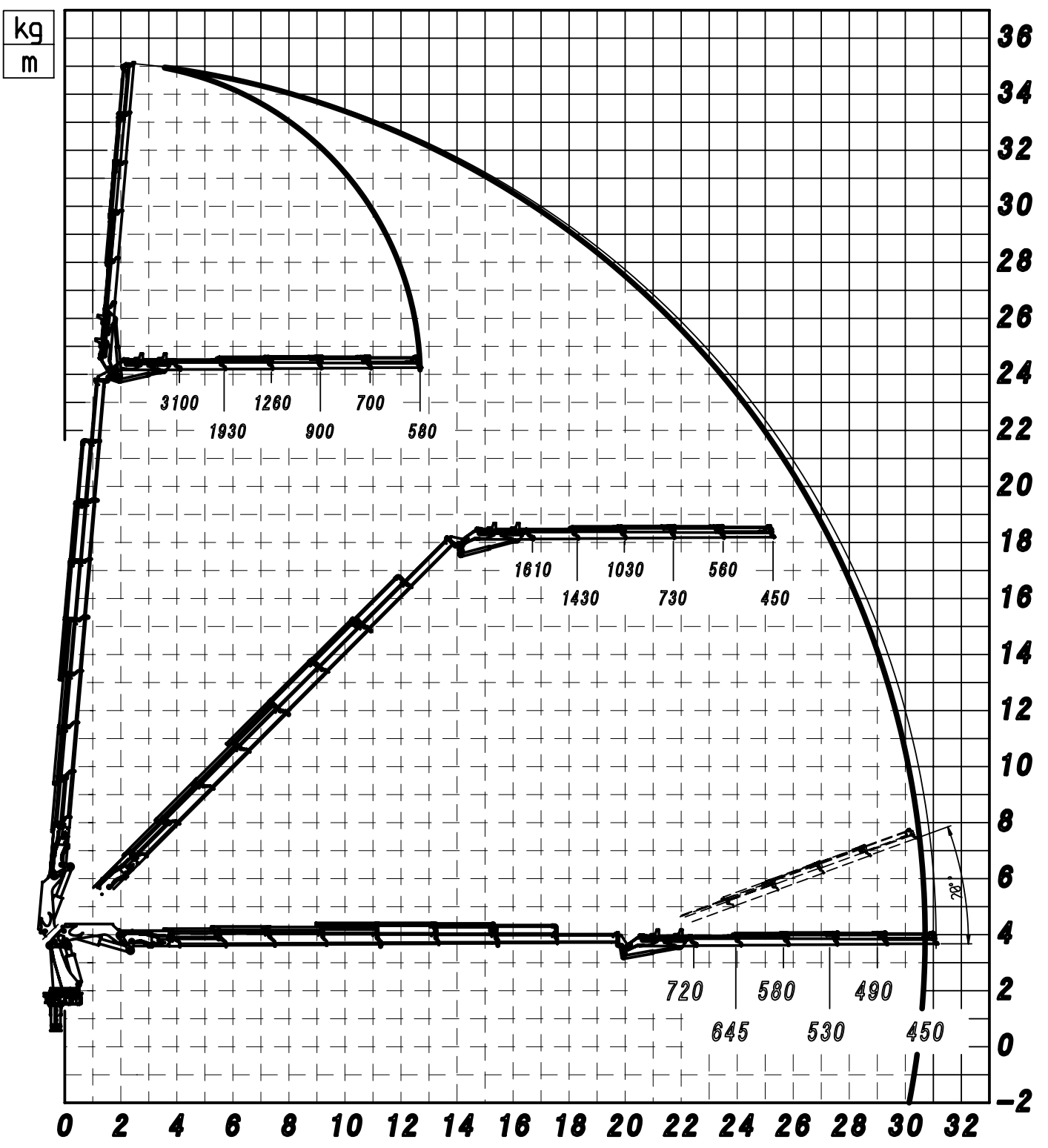
A

B

C

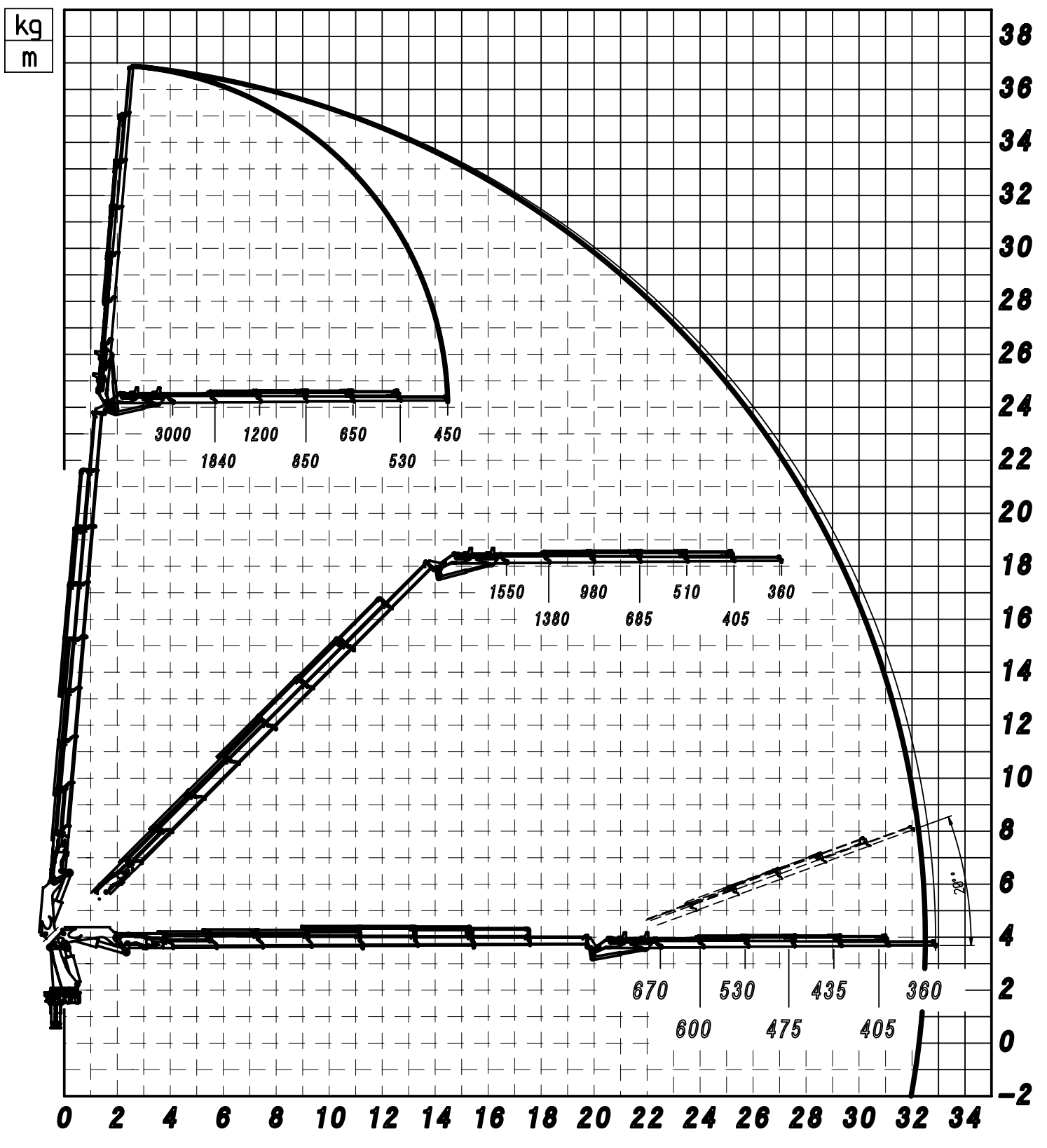
34
32
30
28
26
24
22
20
18
16
14
12
10
8
6
4
2
0
-2





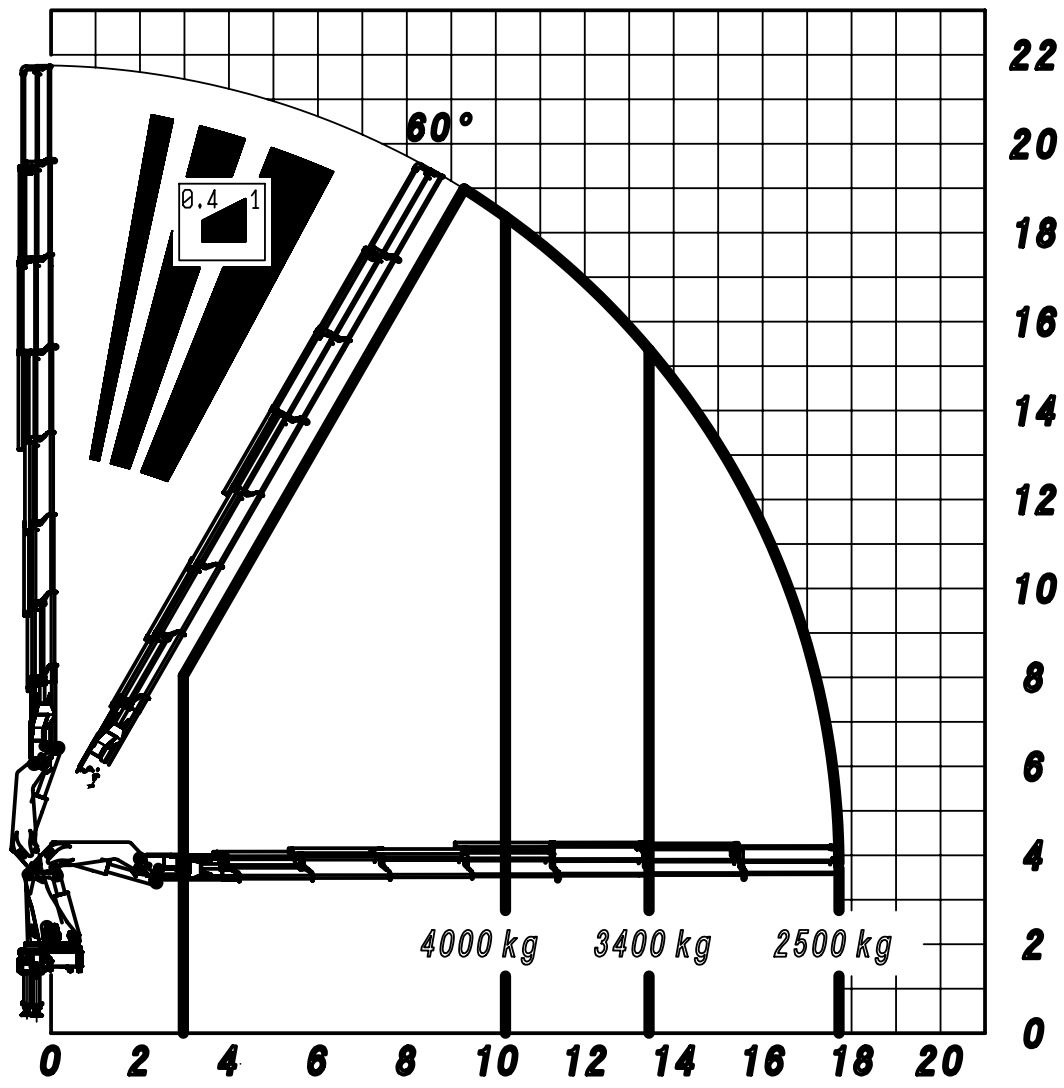
** 65028 SP PT + J1215.20 ** 189905


11/06/2012







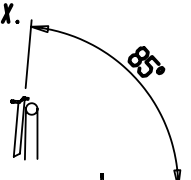
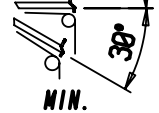
** 65028 SP PT + J1216.20 ** 189904
11/06/2012

kg
m



 **MAX 2.5 T**
Classe: M 3 (UNI ISO 4301/1)

CAPACITY	
 4° - 2000 kg.	} x2
 3° - 2100 kg.	
 2° - 2300 kg.	
 1° - 2500 kg.	

MAX.  **MIN.** 

** 65027 SP PT+TC2 ** 189974

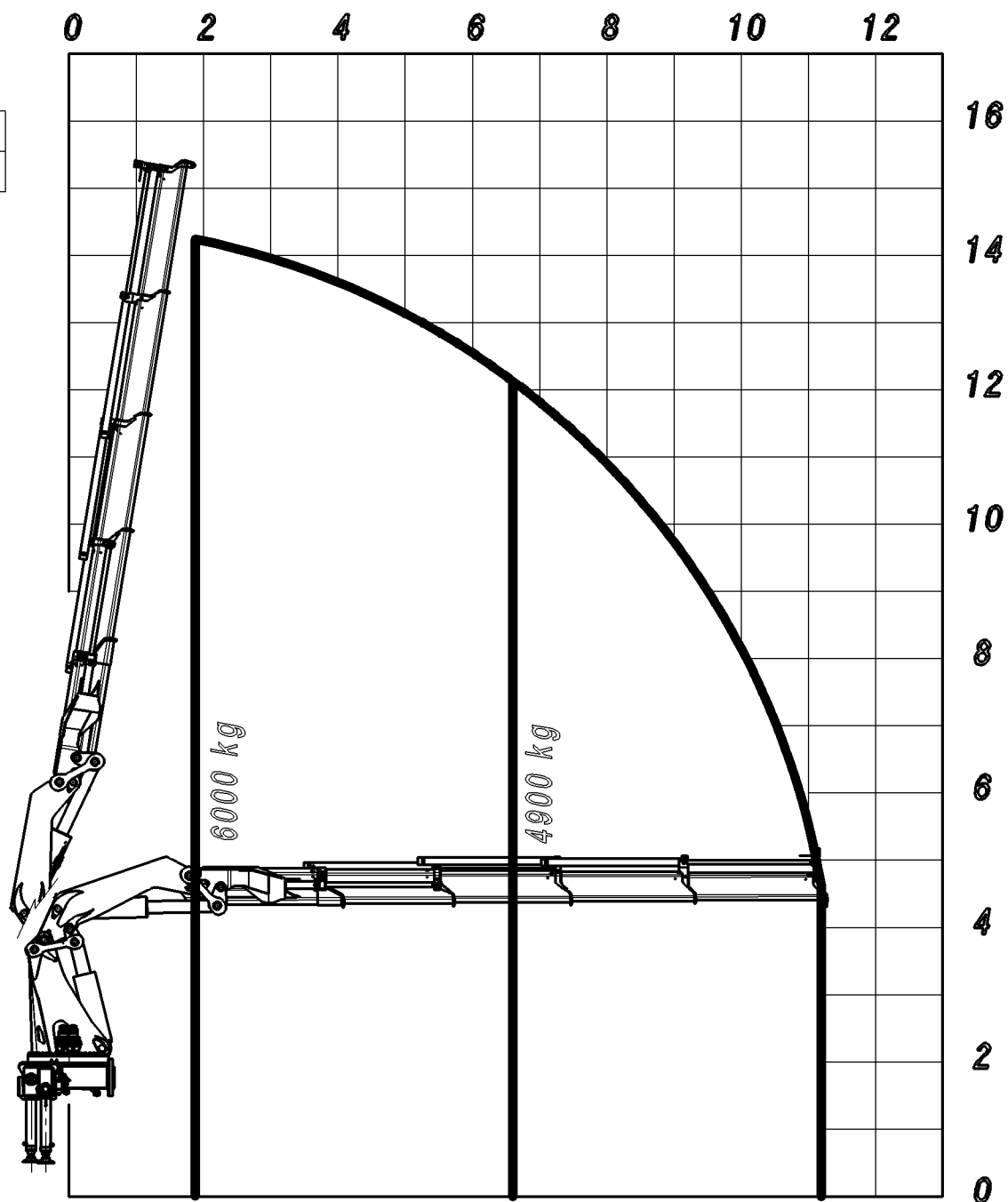
06/11/2012


A





B

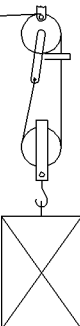
C

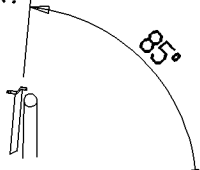
kg
m

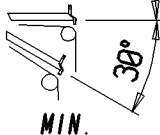


 **MAX 3.0T**
Classe: M 3 (UNI ISO 4301/1)

CAPACITY	
	4° - 3000 kg
	3° - 3200 kg
	2° - 3500 kg
	1° - 3800 kg



MAX.  85°

MIN.  30°

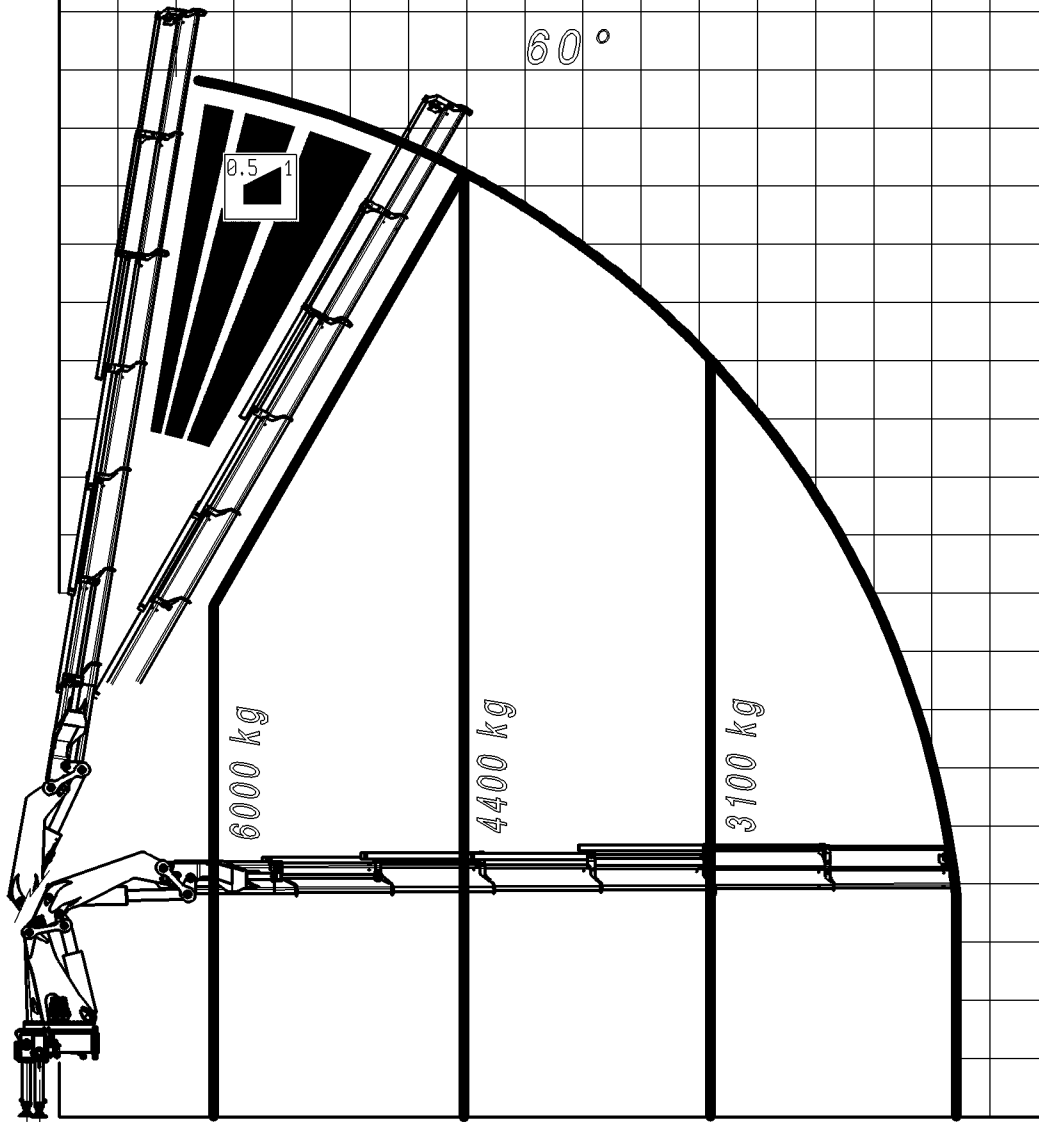
** 65024 SP PT+Verr. ** 190592


12/10/2006





0 2 4 6 8 10 12 14 16

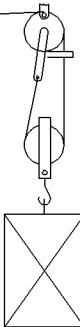
kg
m

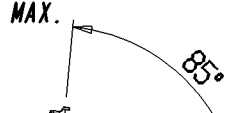
20
18
16
14
12
10
8
6
4
2
0

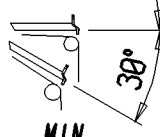


 **MAX 3.0T**
Classe: M 3 (UNI ISO 4301/1)

CAPACITY	
	4° - 3000 kg
	3° - 3200 kg
	2° - 3500 kg
	1° - 3800 kg



MAX.  85°

MIN.  30°

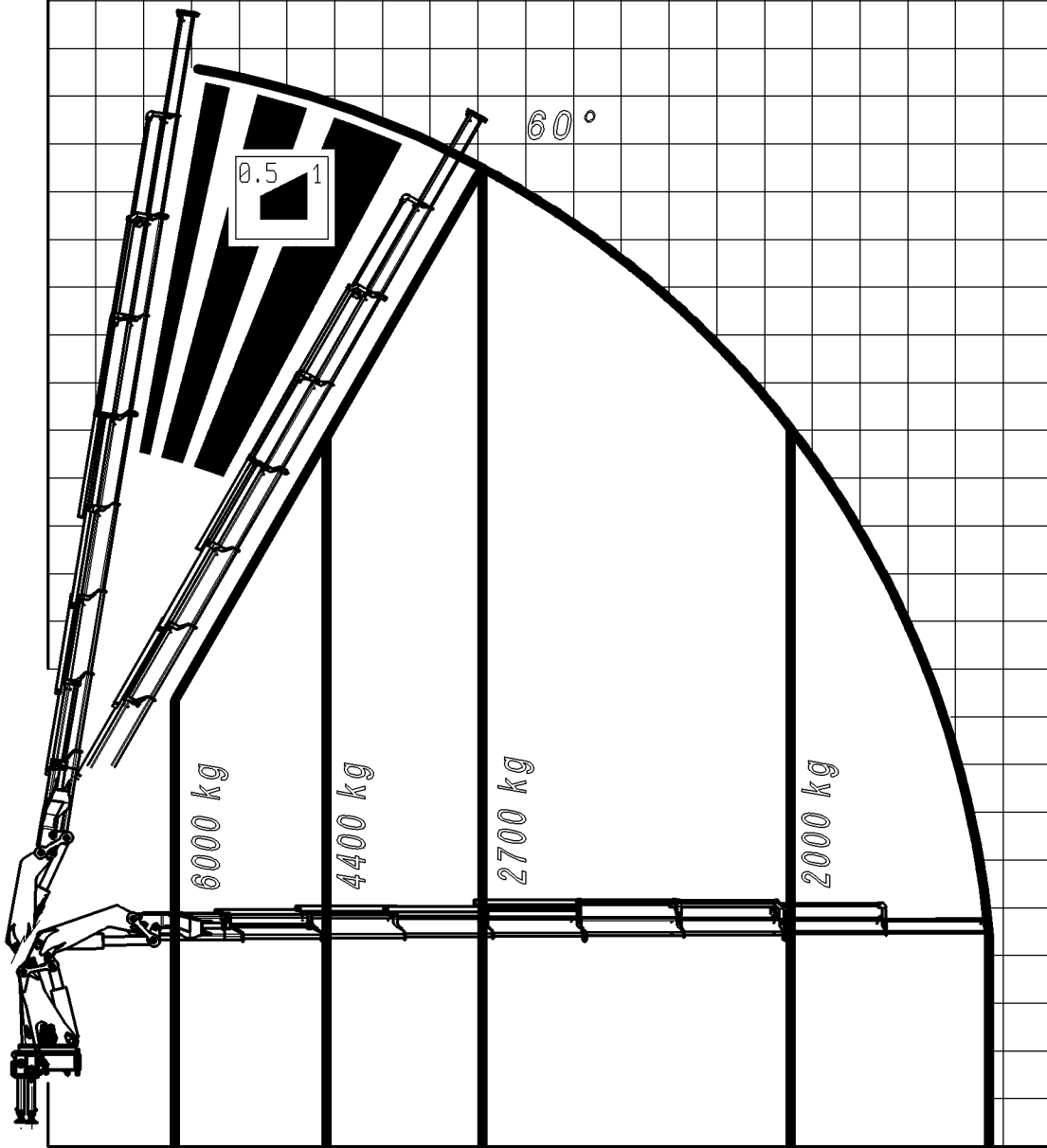
** 65026 SP PT+Verr. ** 190593

12/10/2006

0 2 4 6 8 10 12 14 16 18 20

24
22
20
18
16
14
12
10
8
6
4
2
0

kg
m

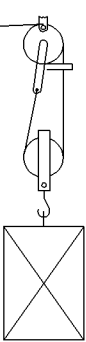


MAX 3.0T

Classe: M 3 (UNI ISO 4301/1)

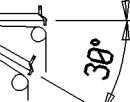
CAPACITY

- 4° - 3000 kg
- 3° - 3200 kg
- 2° - 3500 kg
- 1° - 3800 kg



MAX.

85°



MIN.

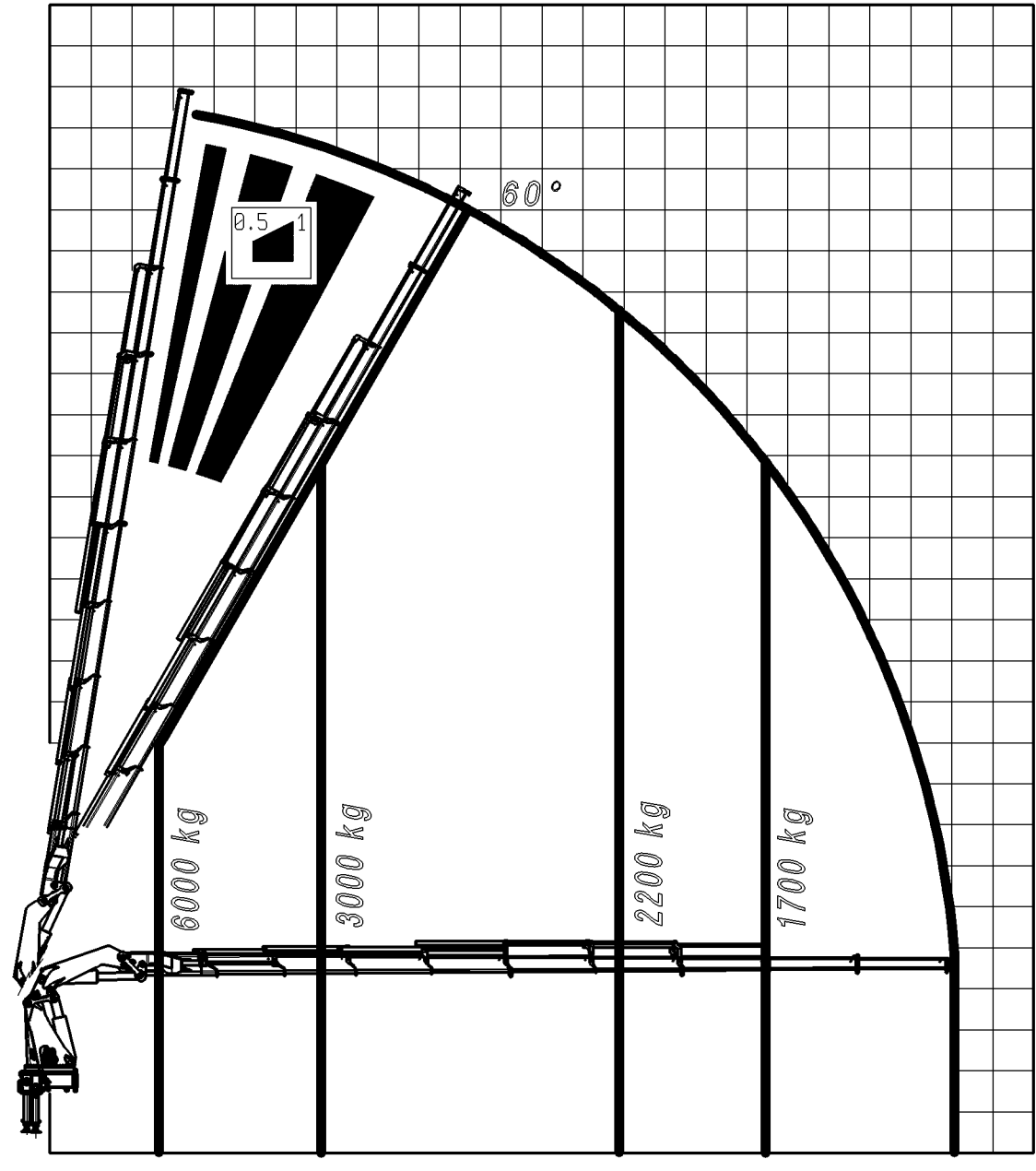
** 65028 SP PT+Verr. ** 190594


10/06/2006





0 2 4 6 8 10 12 14 16 18 20 22

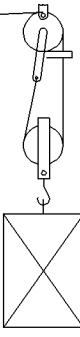
28
26
24
22
20
18
16
14
12
10
8
6
4
2
0


kg
m




 **MAX 3.0T**
Classe: M 3 (UNI ISO 4301/1)

CAPACITY	
	4° - 3000 kg
	3° - 3200 kg
	2° - 3500 kg
	1° - 3800 kg

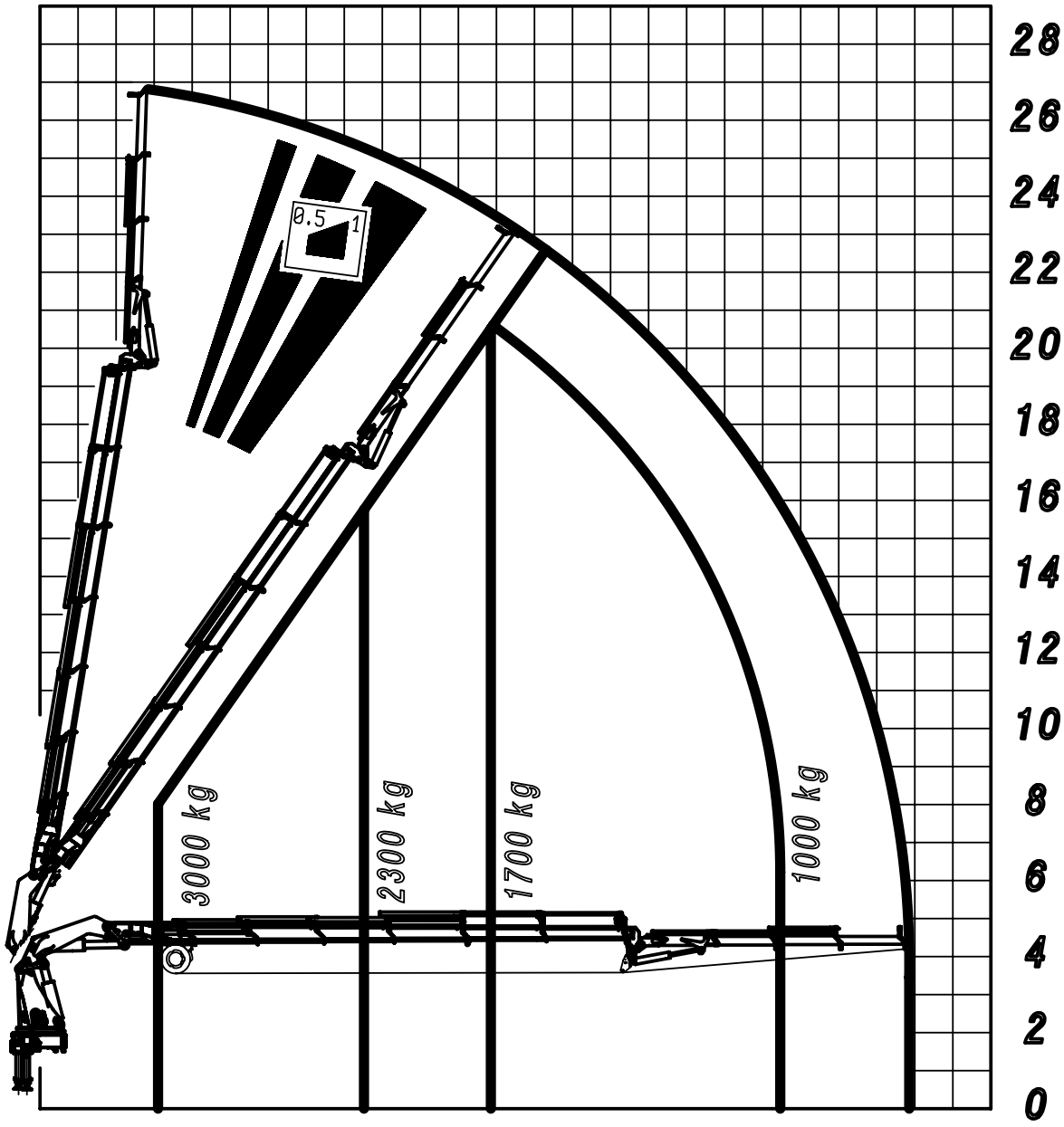



MAX.  85°





MIN.  30°

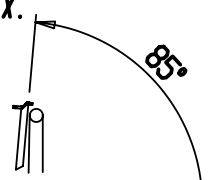
0 2 4 6 8 10 12 14 16 18 20 22 24

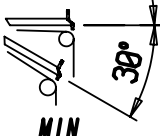
kg
m



 **MAX 3.0 T**
Classe: M 3 (UNI ISO 4301/1)

CAPACITY	
	4° - 3000 kg.
	3° - 3200 kg.
	2° - 3500 kg.
	1° - 3800 kg.

MAX.  85°

MIN.  30°

** 65026 SP PT+J903.20+TC3 ** 190622

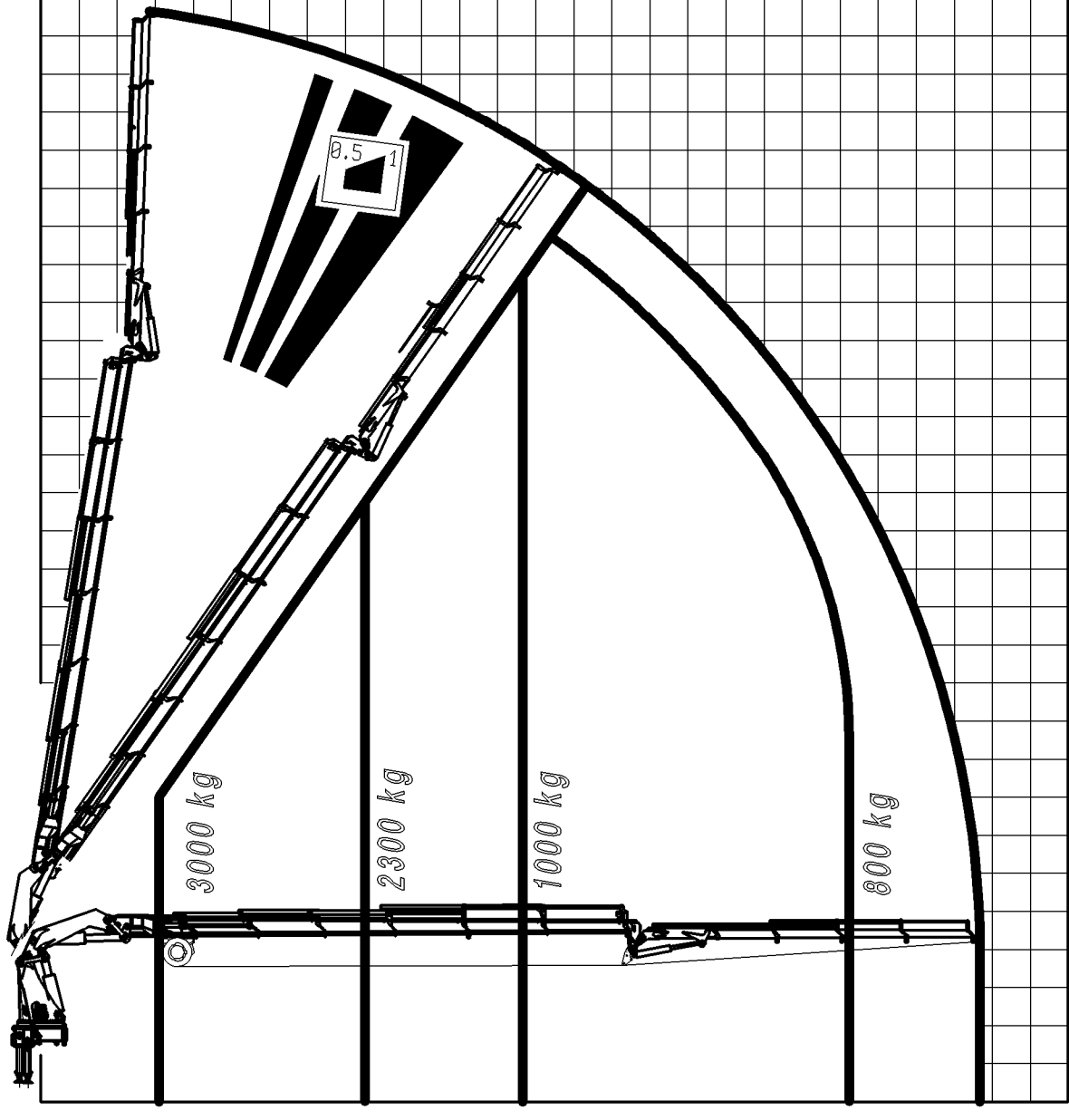
09/10/2007


0 2 4 6 8 10 12 14 16 18 20 22 24 26





A

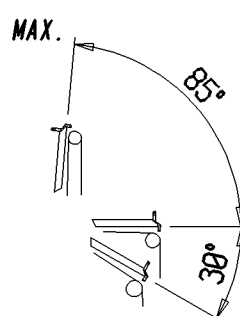
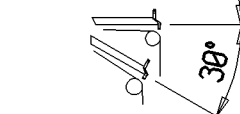
kg
m

30
28
26
24
22
20
18
16
14
12
10
8
6
4
2
0



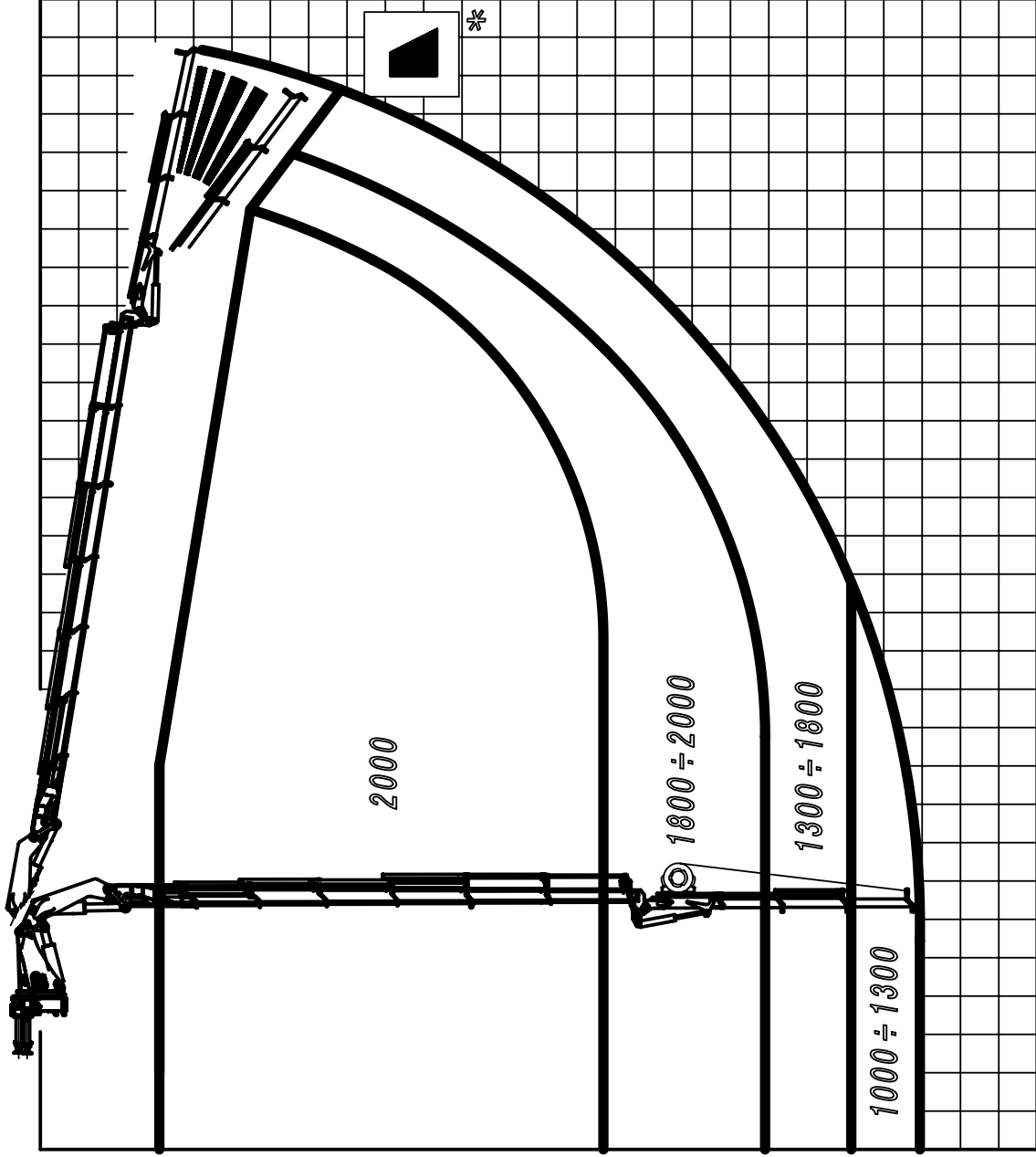
 **MAX 3.0 T**
 Classe: M 3 (UNI ISO 4301/1)

CAPACITY	
	4° - 3000 kg.
	3° - 3200 kg.
	2° - 3500 kg.
	1° - 3800 kg.

MAX.  85°
MIN.  30°


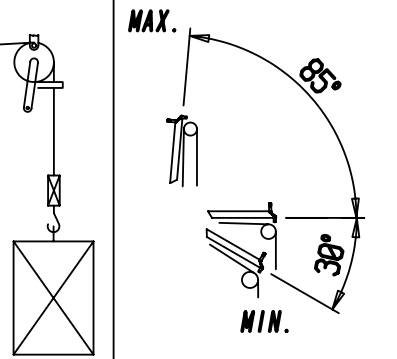
0 2 4 6 8 10 12 14 16 18 20 22 24 26

kg
m



26
24
22
20
18
16
14
12
10
8
6
4
2
0

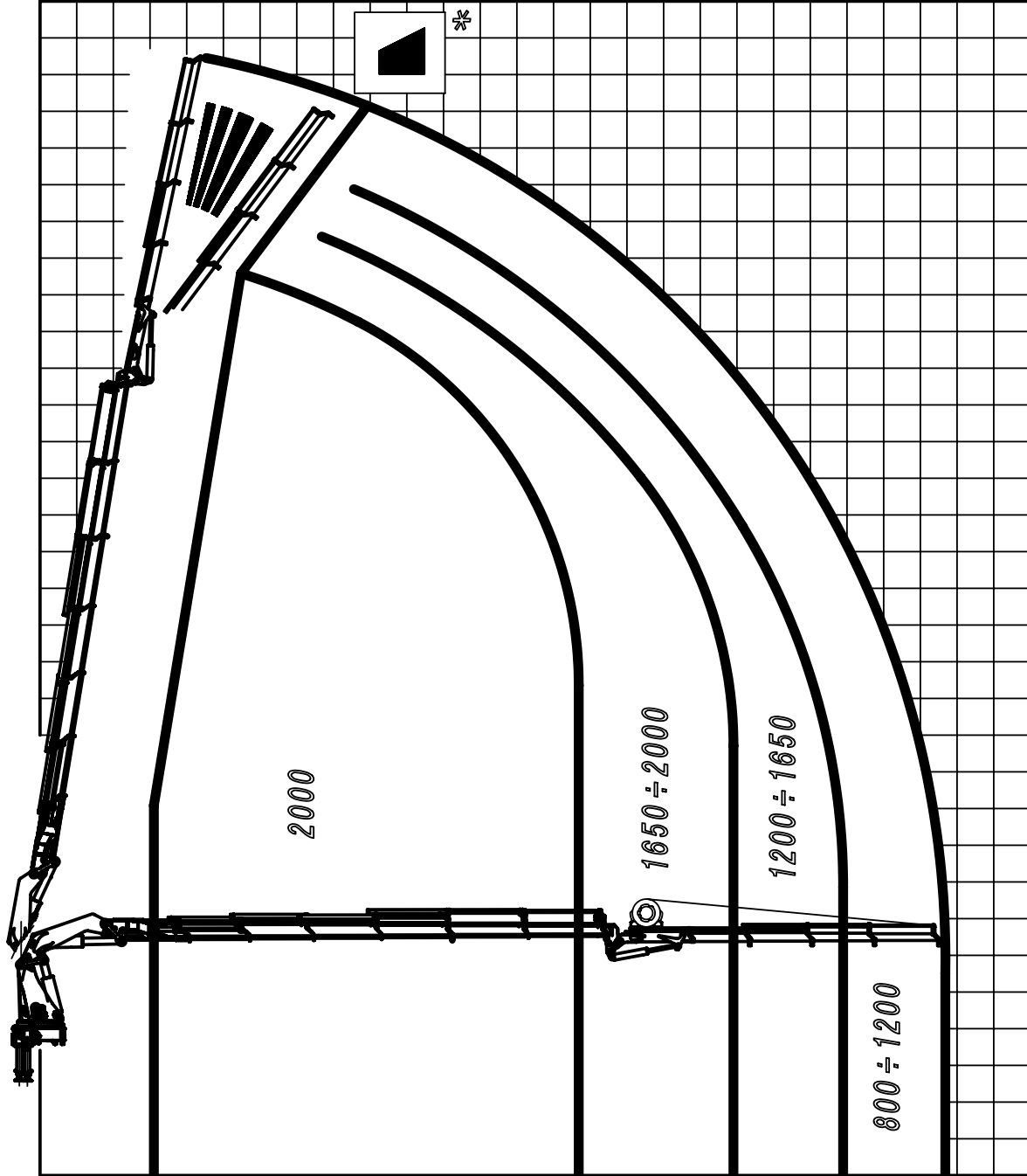
* Area Controllata

 <p>MAX 2.5 T Classe: M 3 (UNI ISO 4301/1)</p>	
<p>CAPACITY</p> <ul style="list-style-type: none"> 5° - 1800 kg. 4° - 1900 kg. 3° - 2100 kg. 2° - 2200 kg. 1° - 2500 kg. 	


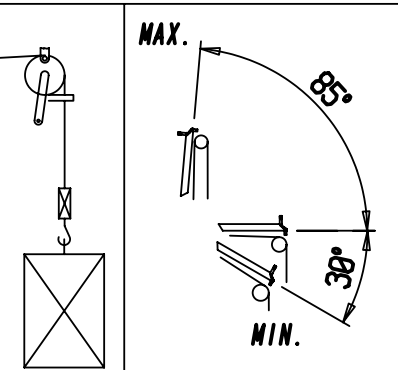
0 2 4 6 8 10 12 14 16 18 20 22 24 26

30
28
26
24
22
20
18
16
14
12
10
8
6
4
2
0

kg
m



* Area Controllata

 MAX 2.5 T Classe: M 3 (UNI ISO 4301/1)	
CAPACITY 5° - 1800 kg. 4° - 1900 kg. 3° - 2100 kg. 2° - 2200 kg. 1° - 2500 kg.	

** 65026 SP PT+J904.20+TC2 ** 190975

12/11/2008

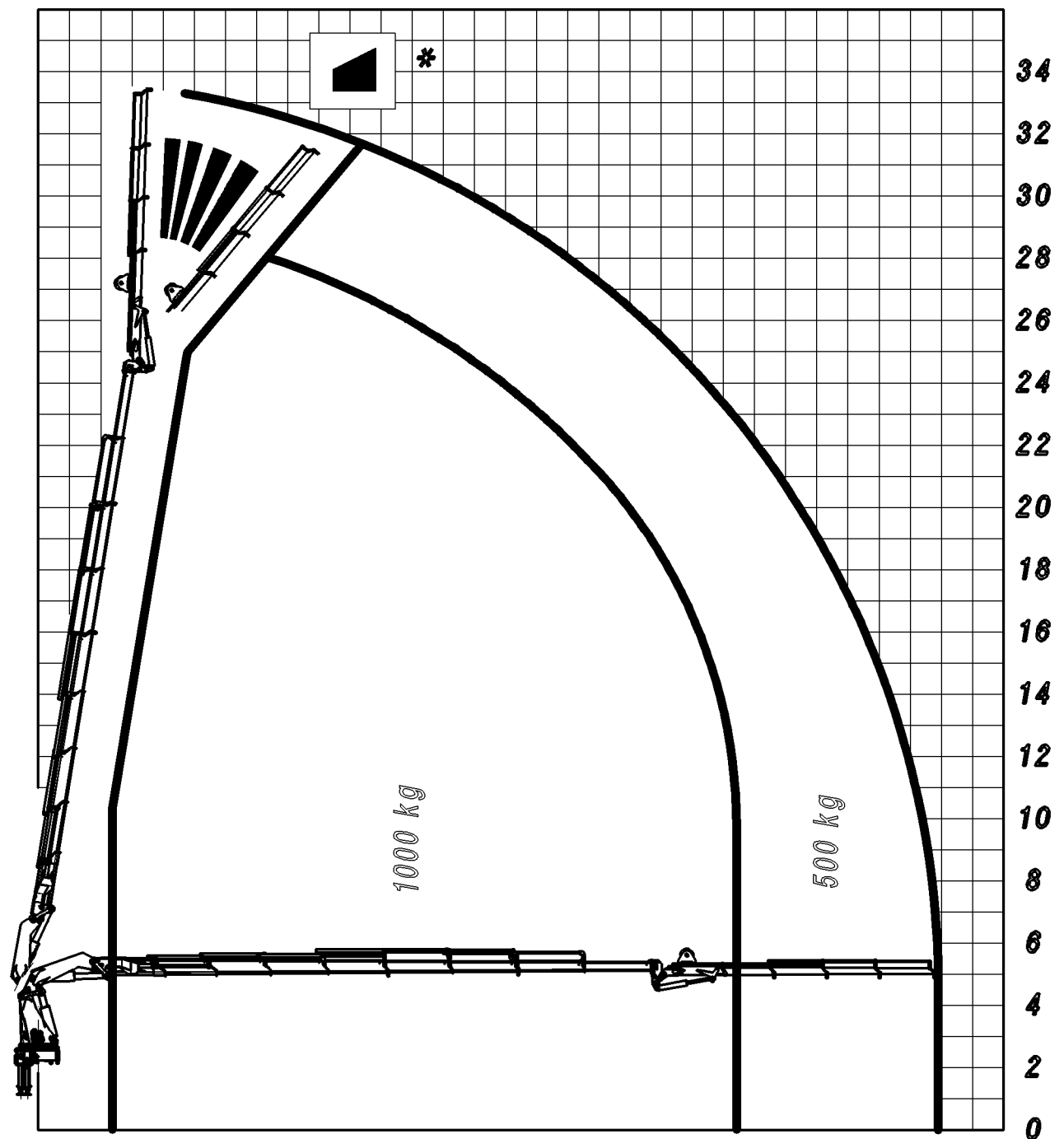
0 2 4 6 8 10 12 14 16 18 20 22 24 26 28

A


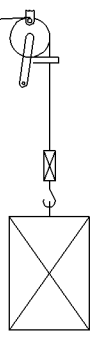
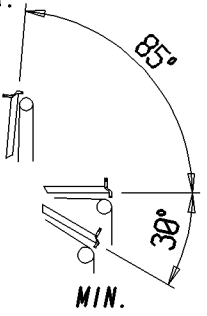
B

C

kg
m



*** Area Controllata**

	MAX 1.0 T Classe: M 3 (UNI ISO 4301/1)
<p>CAPACITY</p> <ul style="list-style-type: none"> 5°- 900 kg 4°- 1000 kg 3°- 1050 kg 2°- 1150 kg 1°- 1250 kg 	
	<p>MAX.</p>  <p>MIN.</p>

** 65028 SP PT+J714.20+TC1 ** 190967

04/10/2007

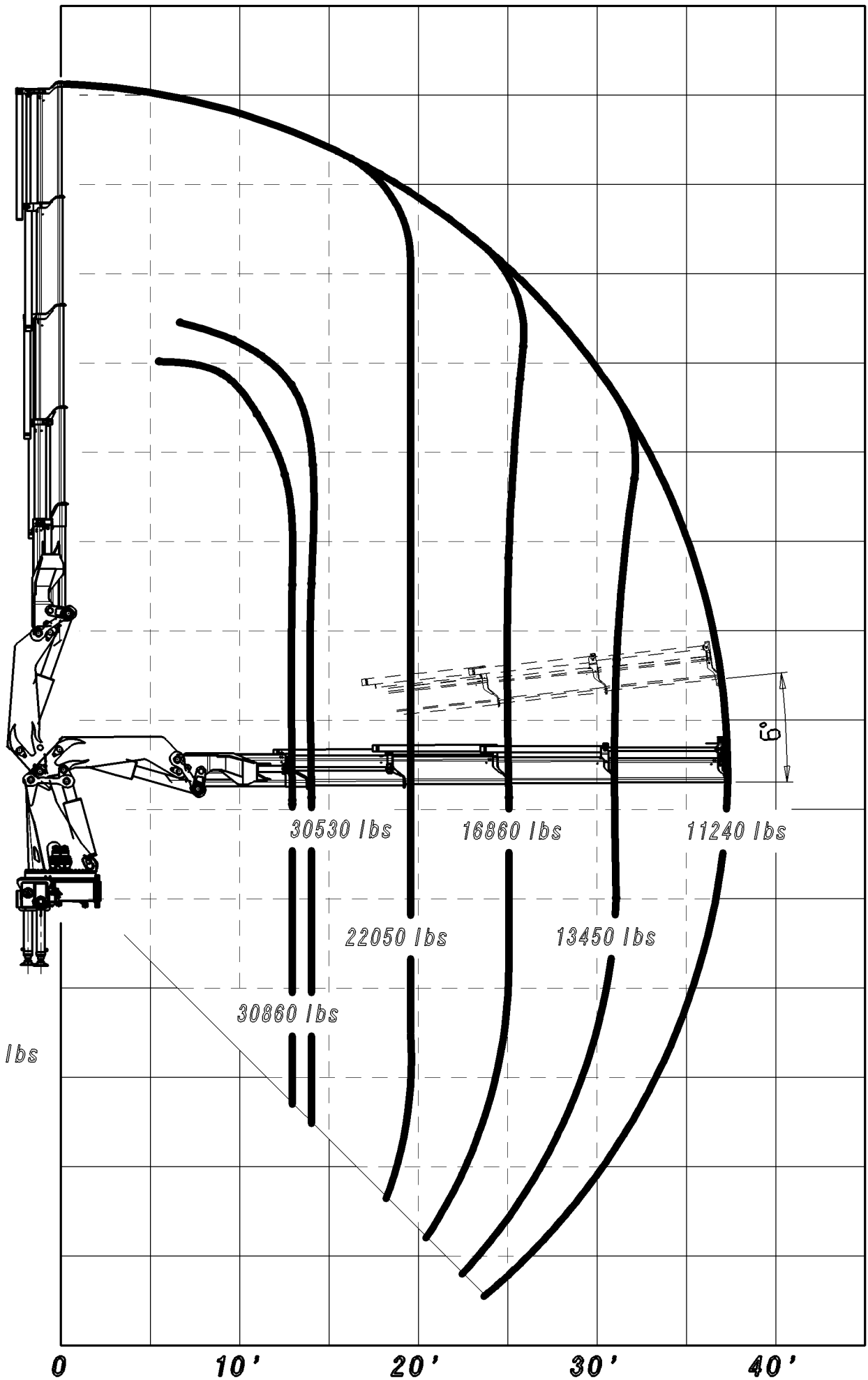
A

lbs
ft

B

C

50'
40'
30'
20'
10'
0
-10'
-20'



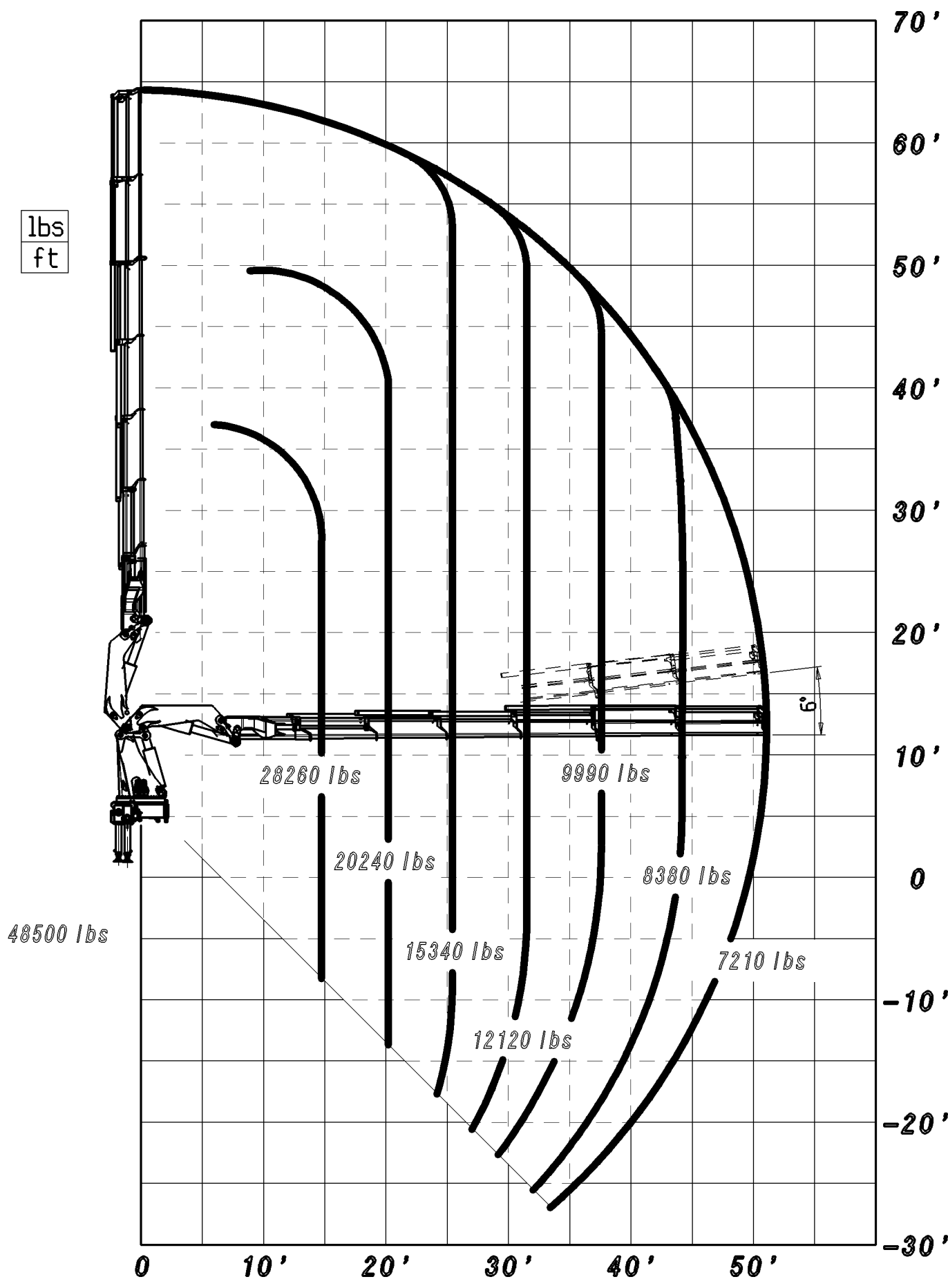
** 65024 SP PT ** 190584
07/04/2006

A

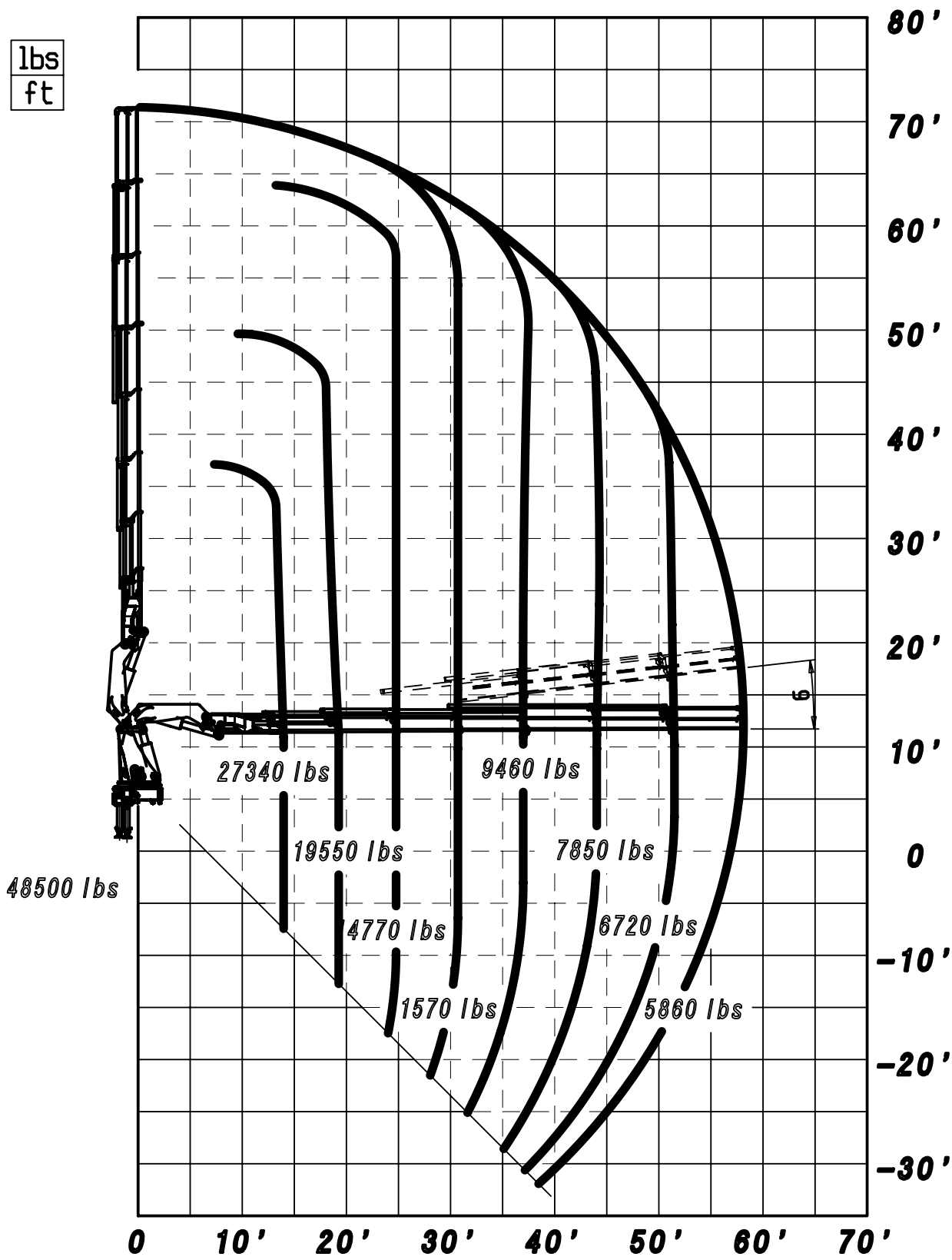
B

C

lbs
ft



** 65026 SP PT ** 190585
 06/10/2006

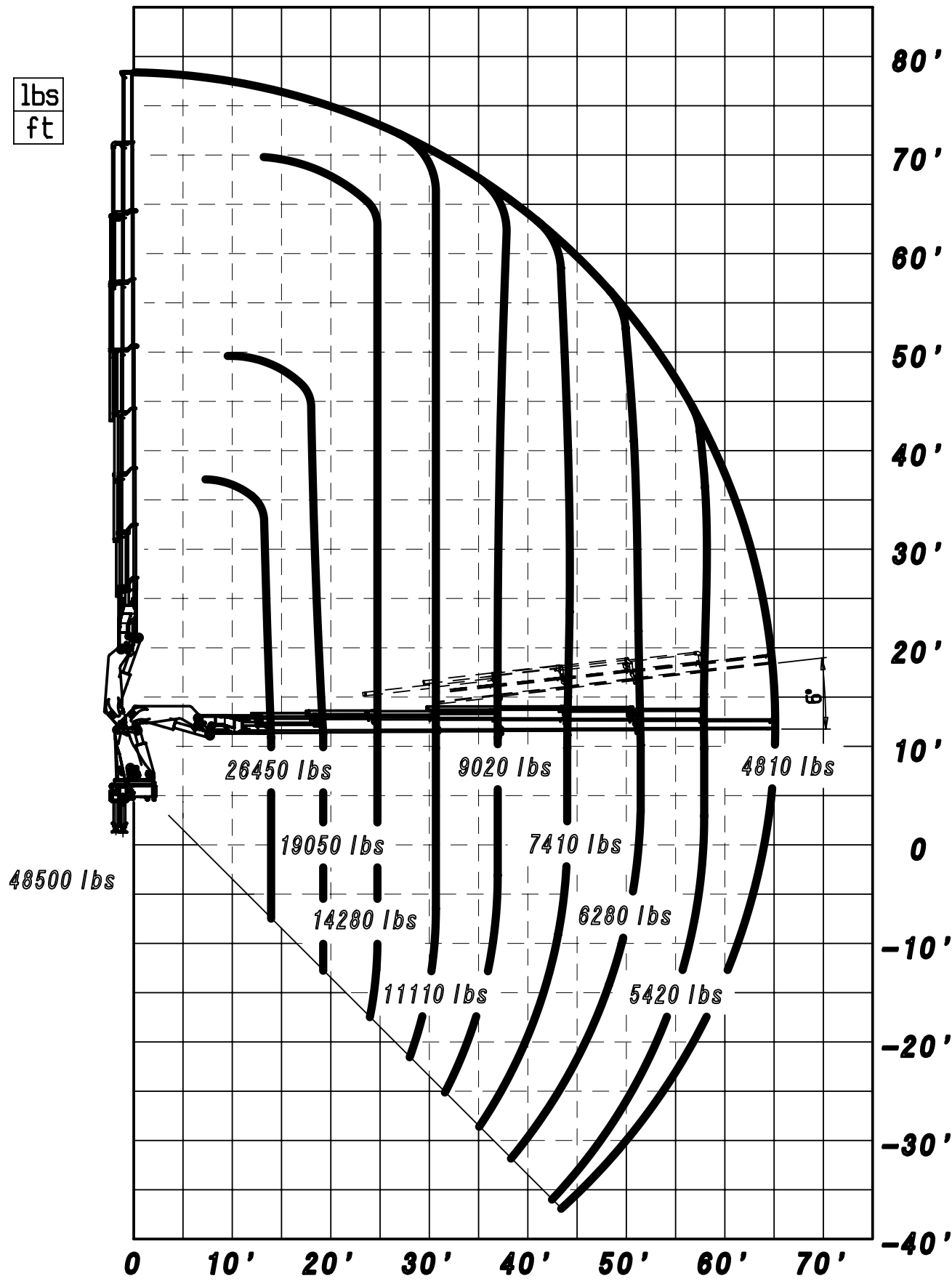


A

B

C

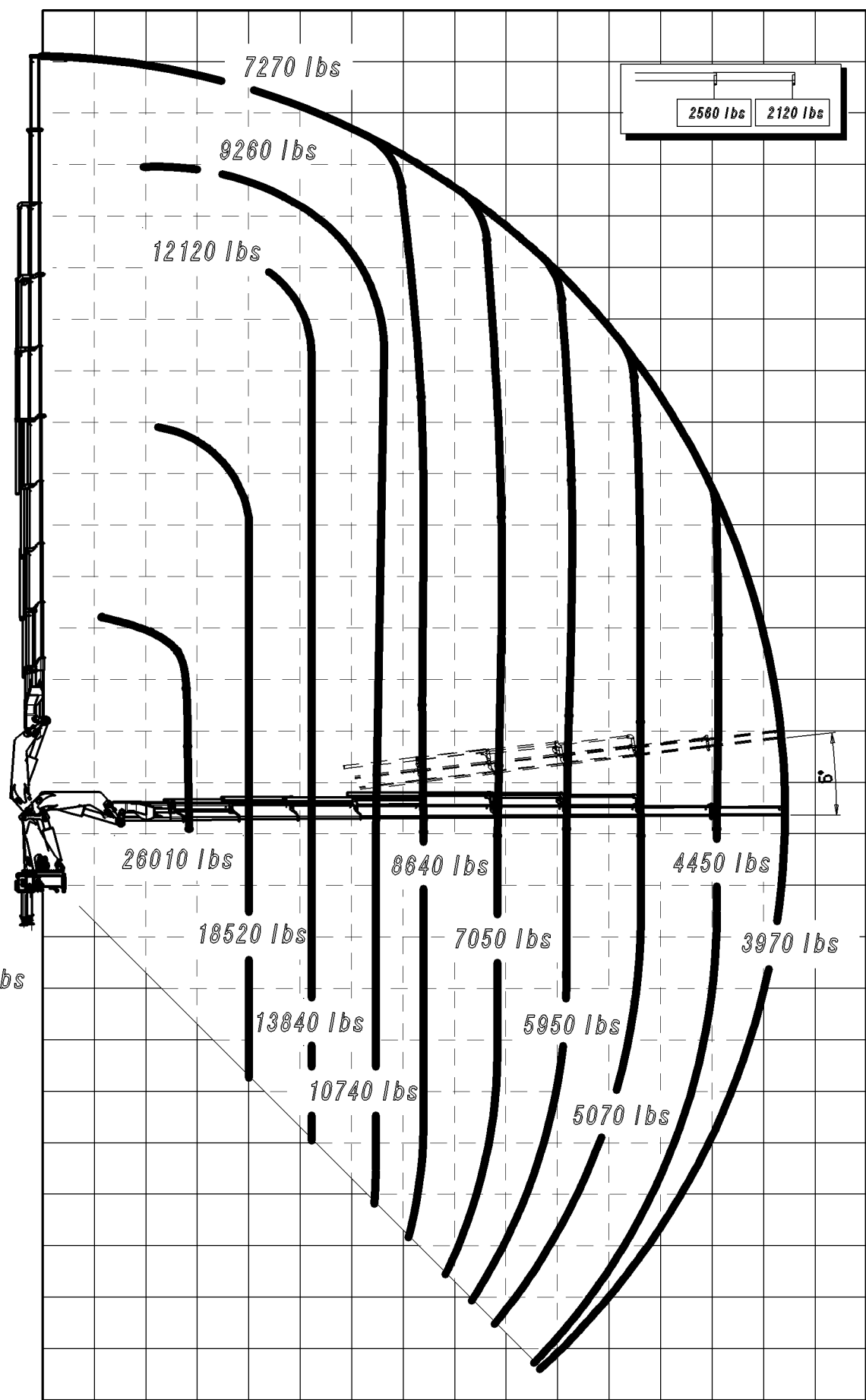
lbs
ft



** 65028 SP PT ** 190586
 07/04/2007

A

lbs
ft



B

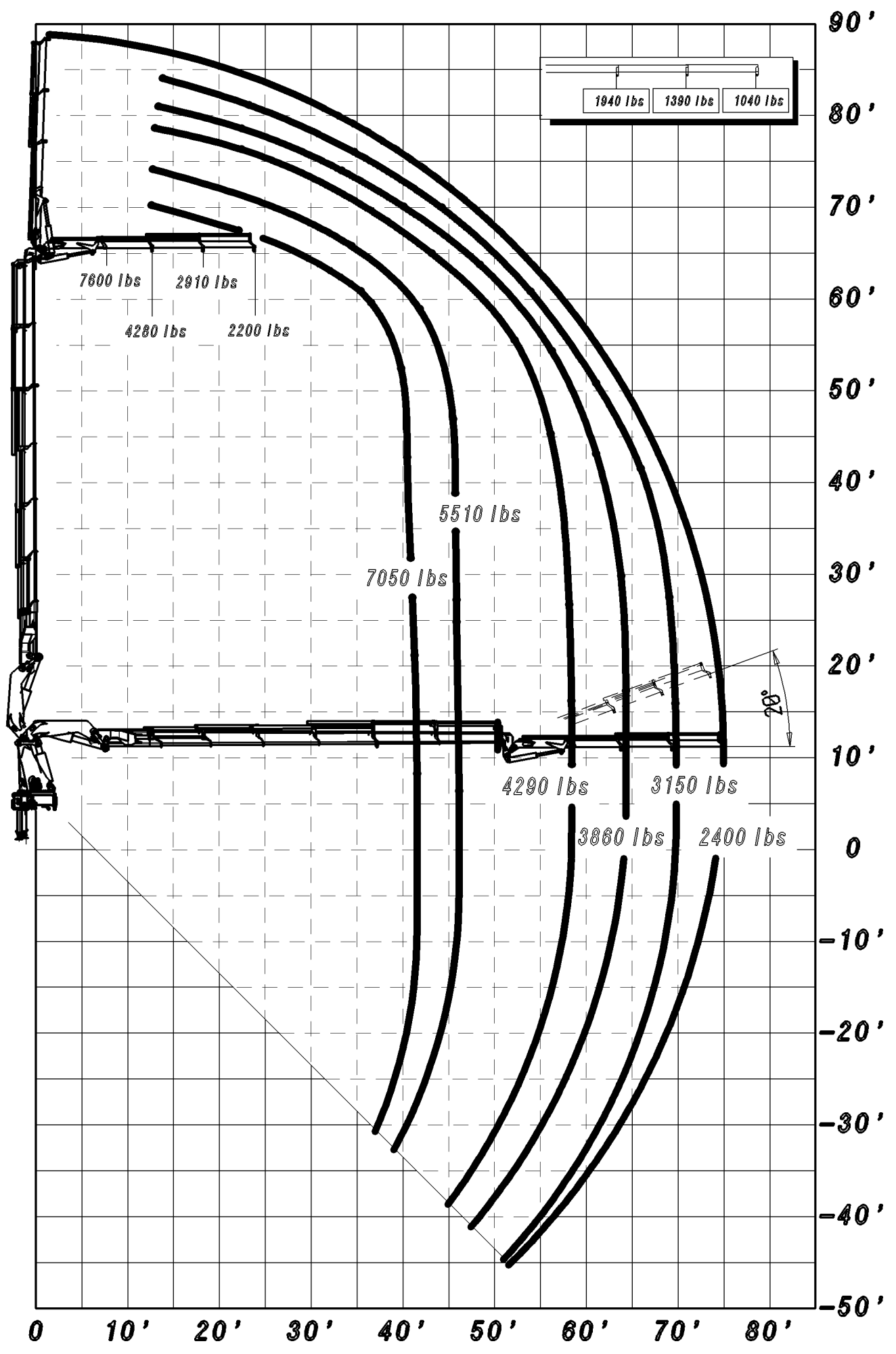
C

A

B

C

lbs
ft



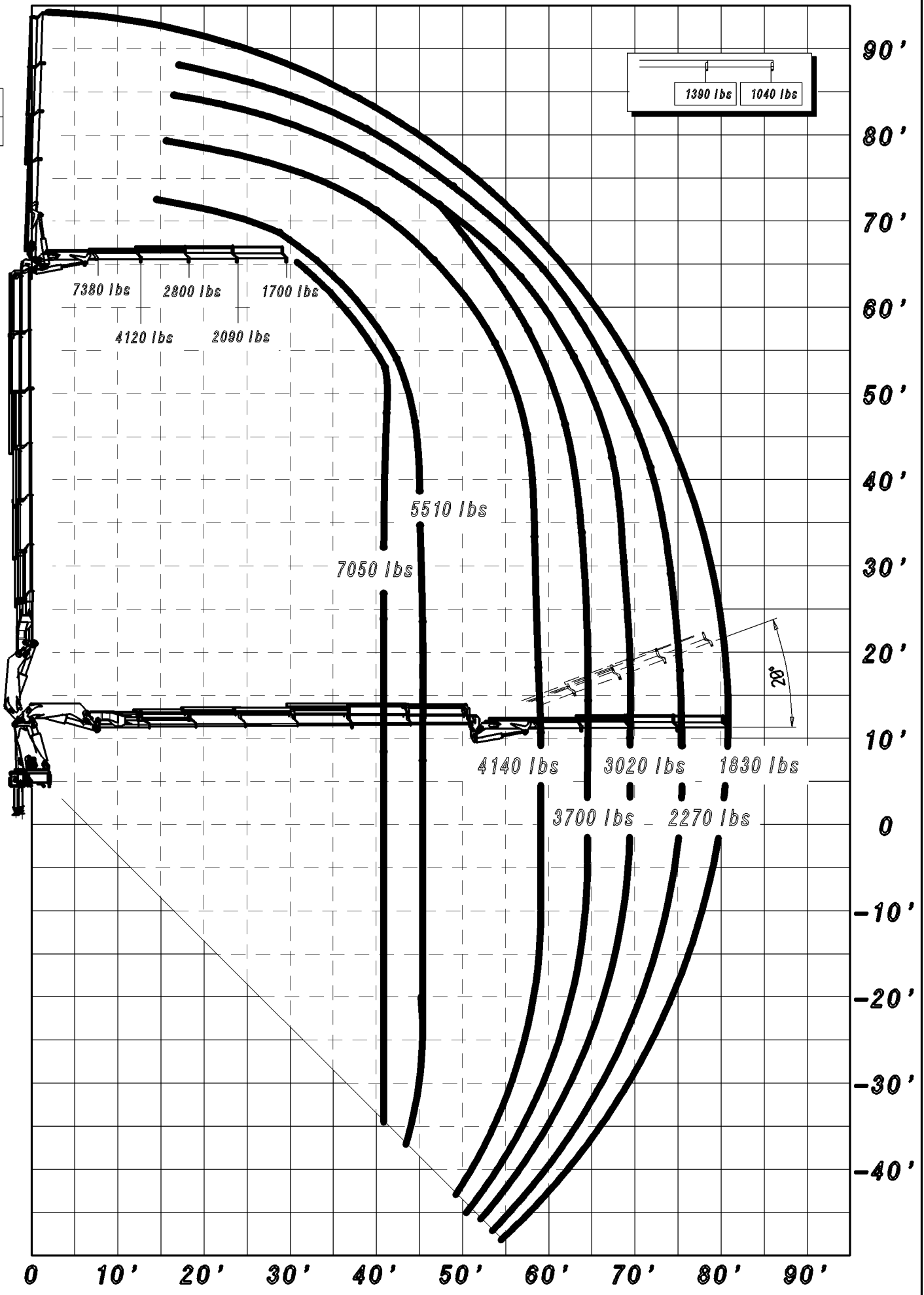
lbs
ft

A

B

C

1390 lbs	1040 lbs
----------	----------

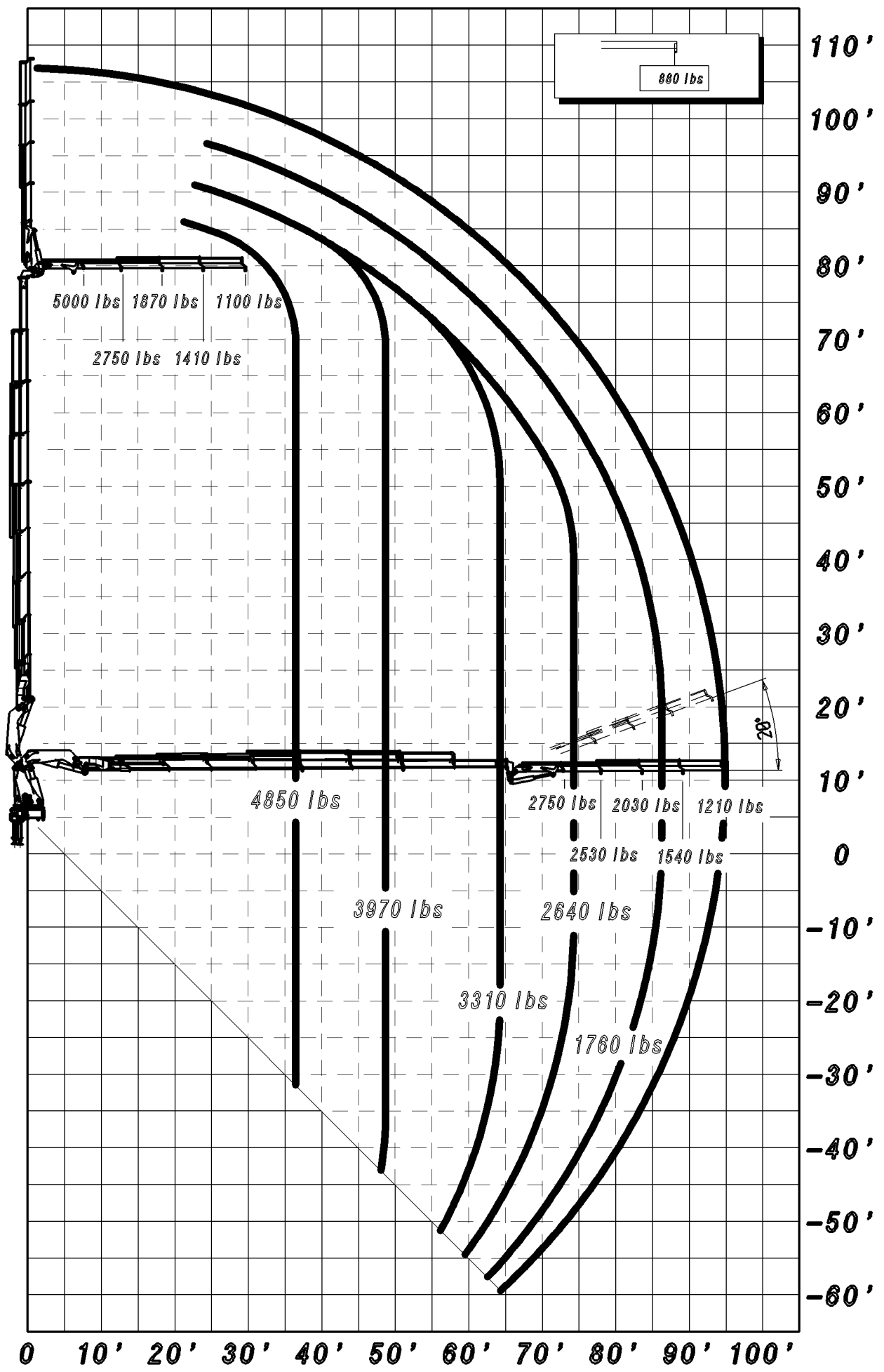


** 65026 SP PT+J904.20 ** 190591

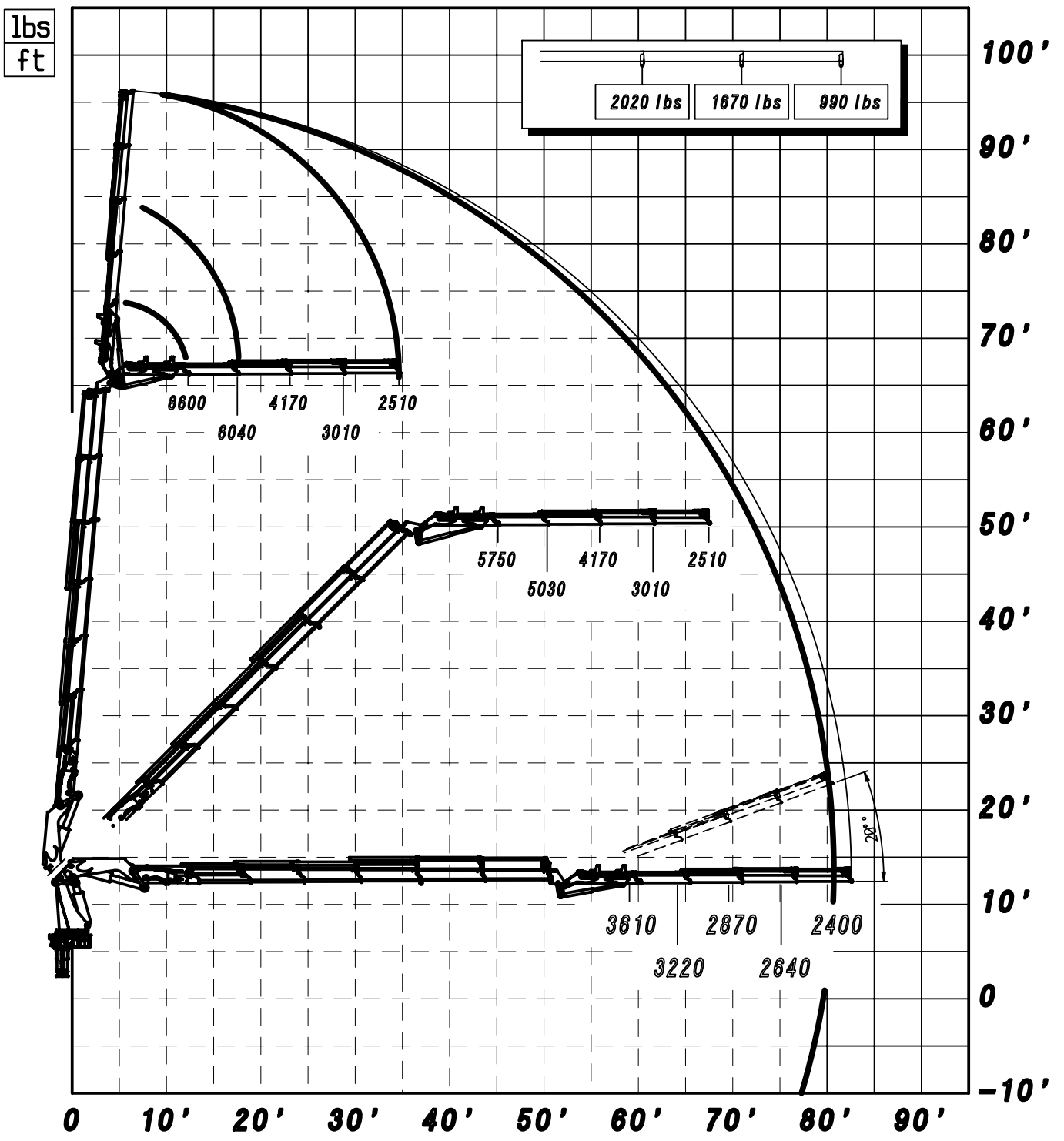
06/10/2006

lbs
ft

880 lbs

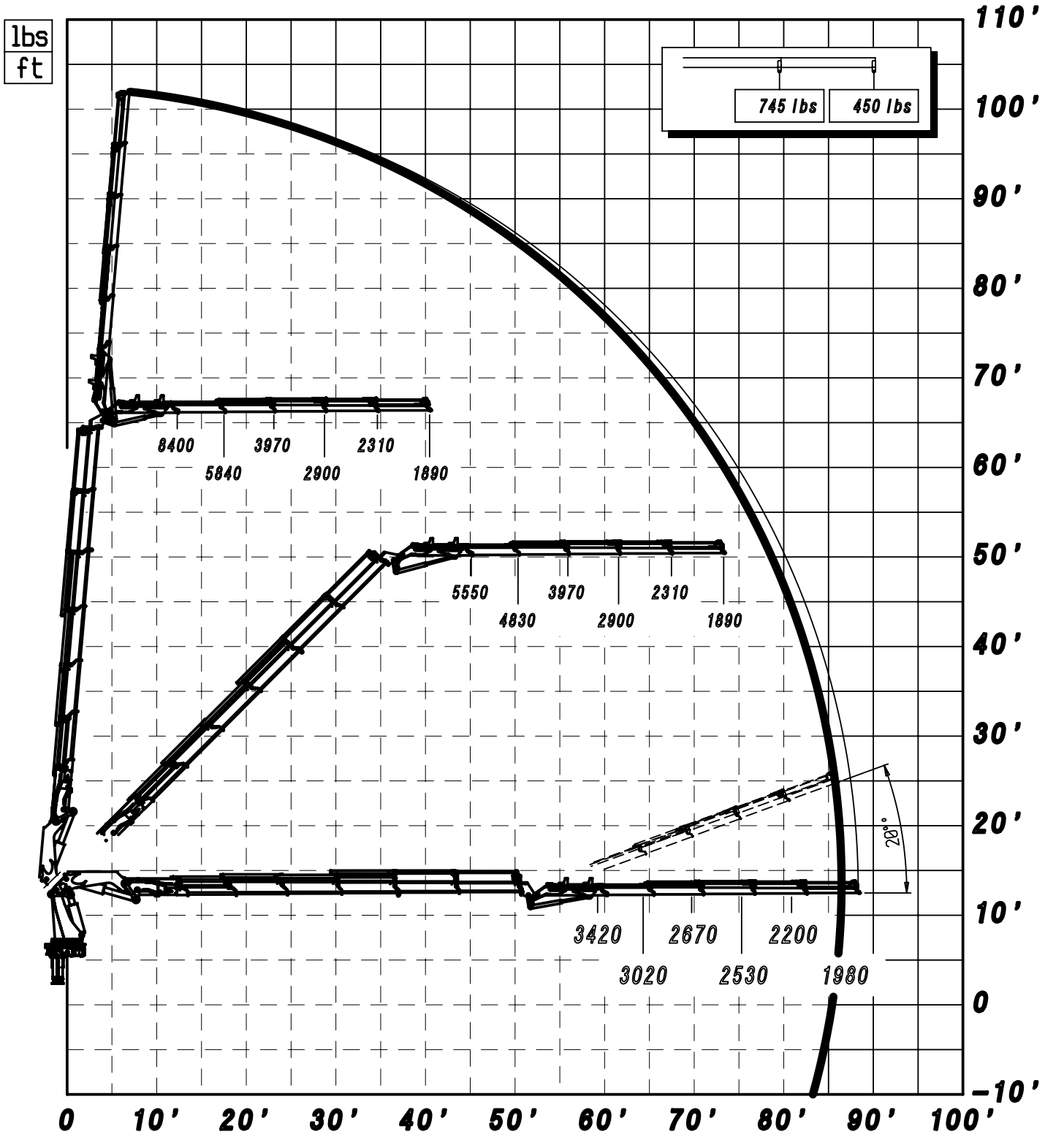


** 65028 SP PT+J714.20 ** 190968
28/11/2007



** 65026 SP PT +J1414.20 ** 189836

20/06/2012



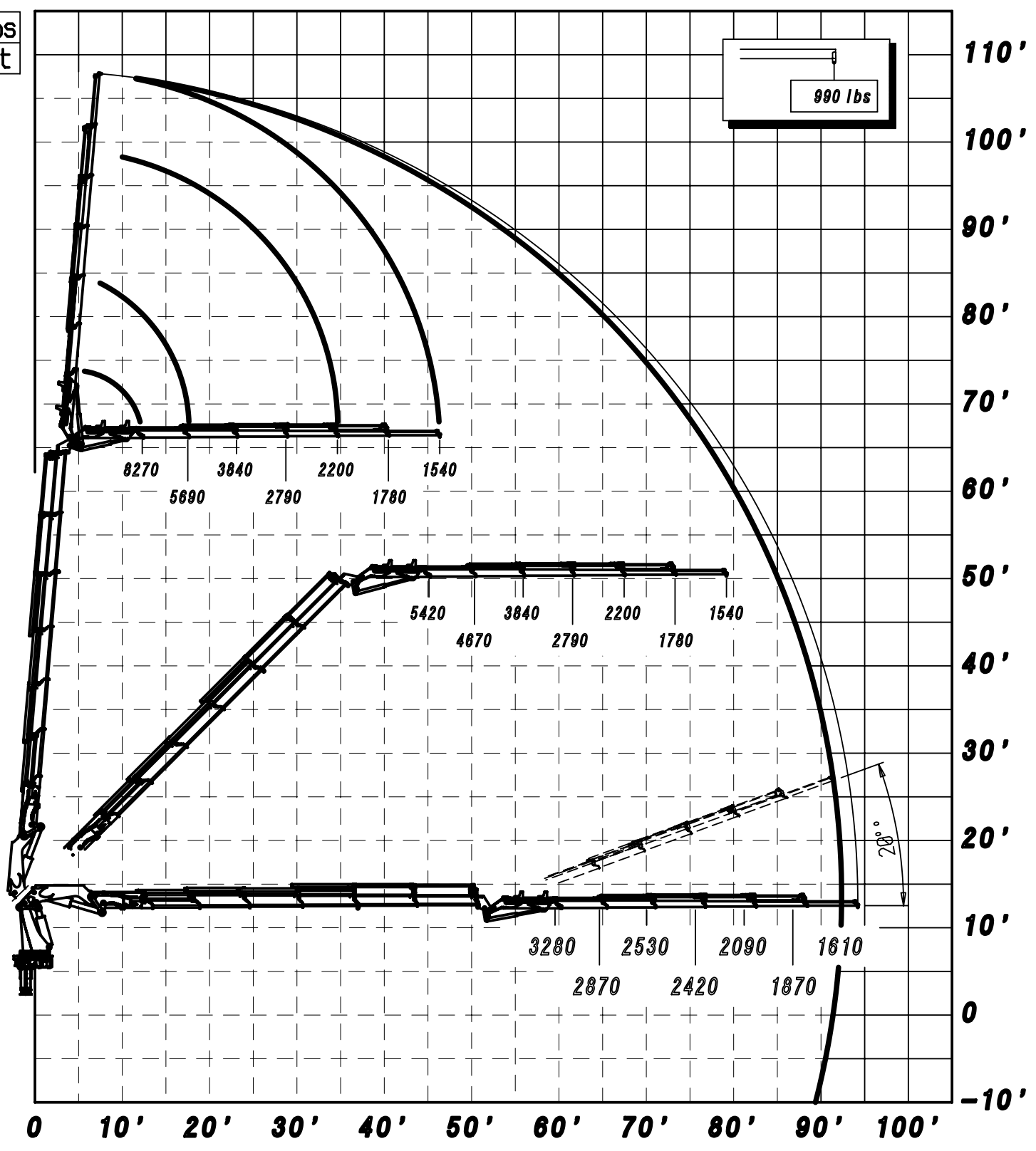
lbs
ft

990 lbs

A

B

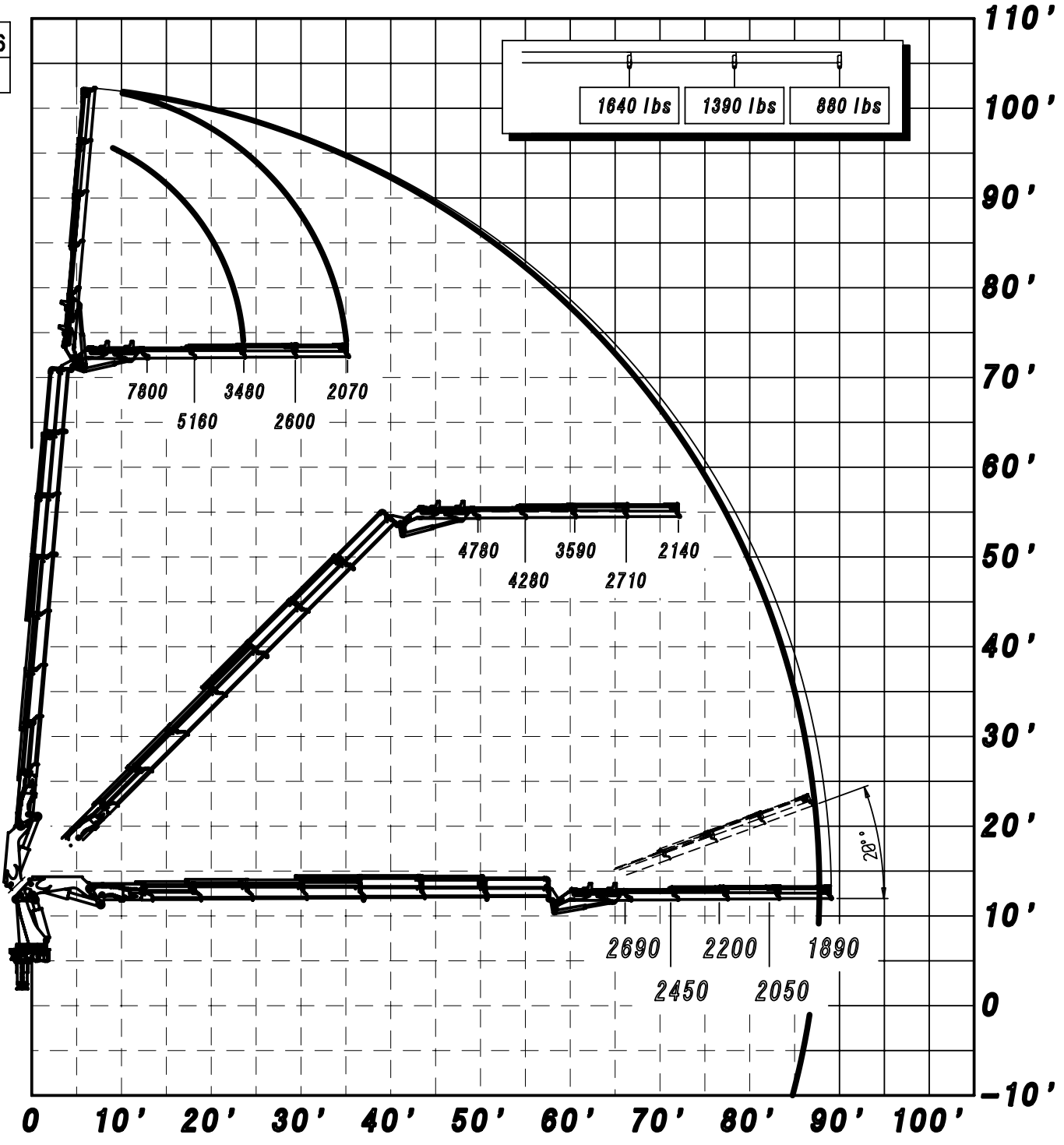
C



** 65026 SP PT +J1416.20 ** 189907

20/06/2012

lbs
ft



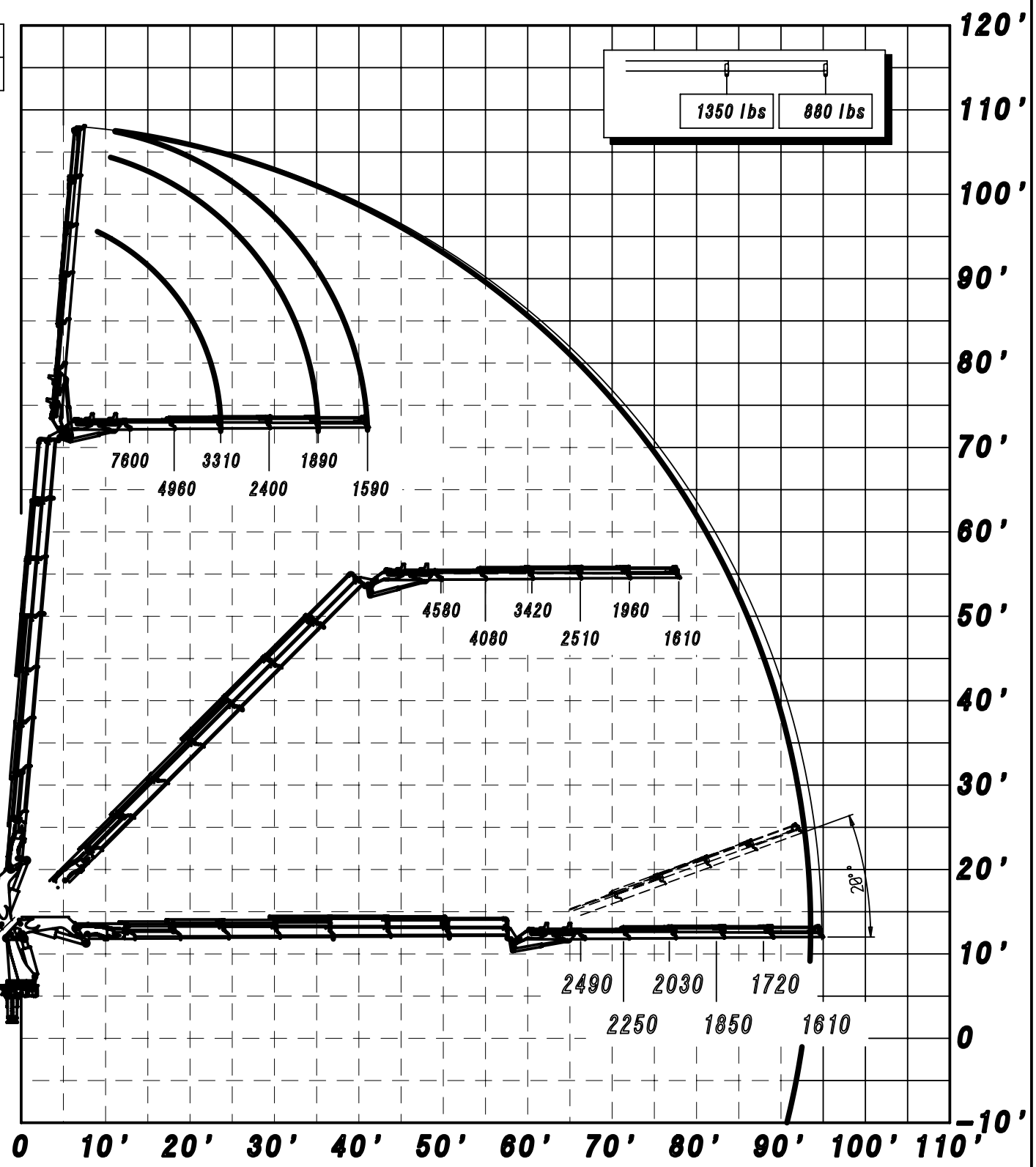
lbs
ft

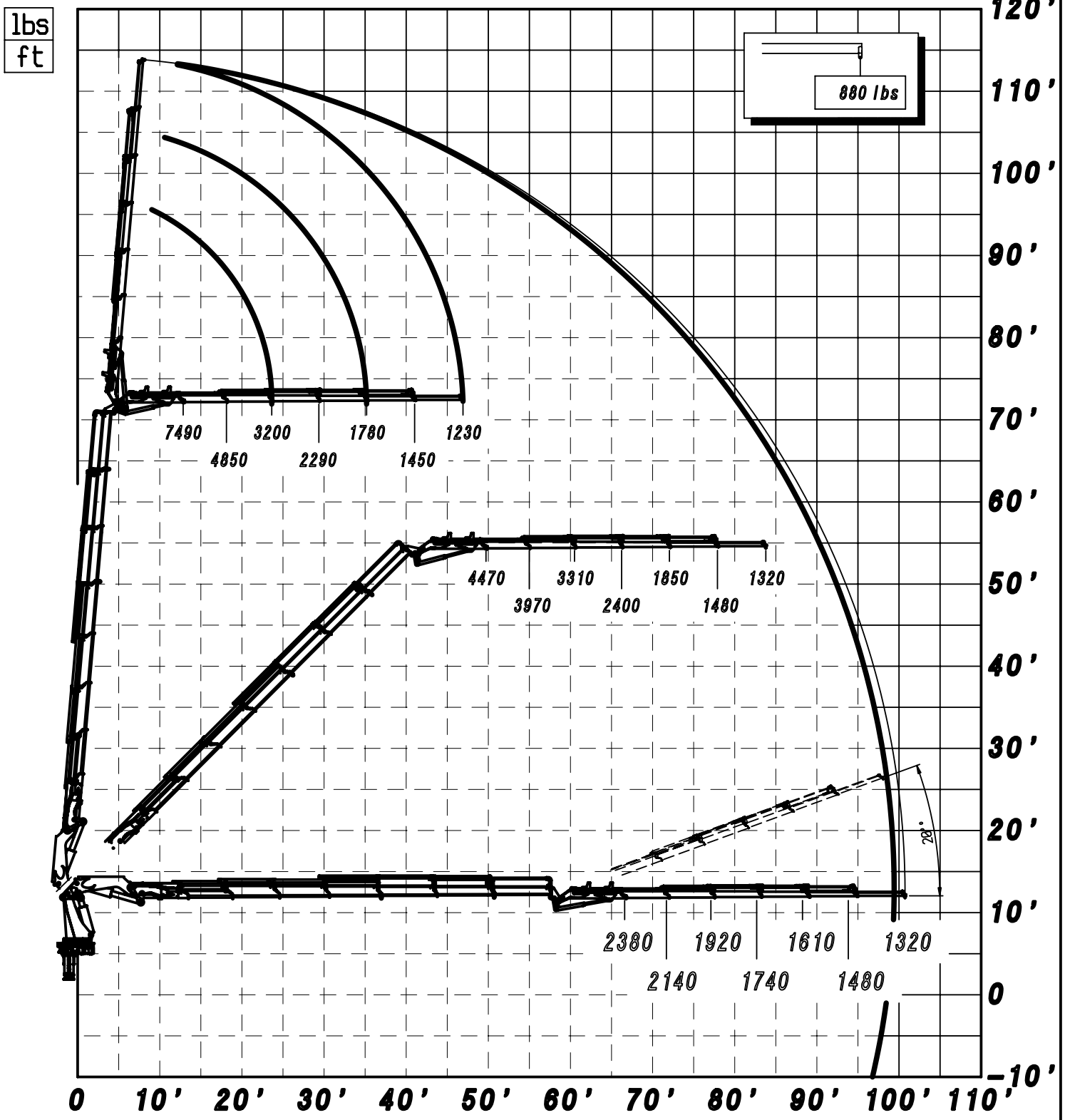
1350 lbs 880 lbs

A

B

C





** 65027 SP PT + J1216.20 ** 189909
20/06/2012

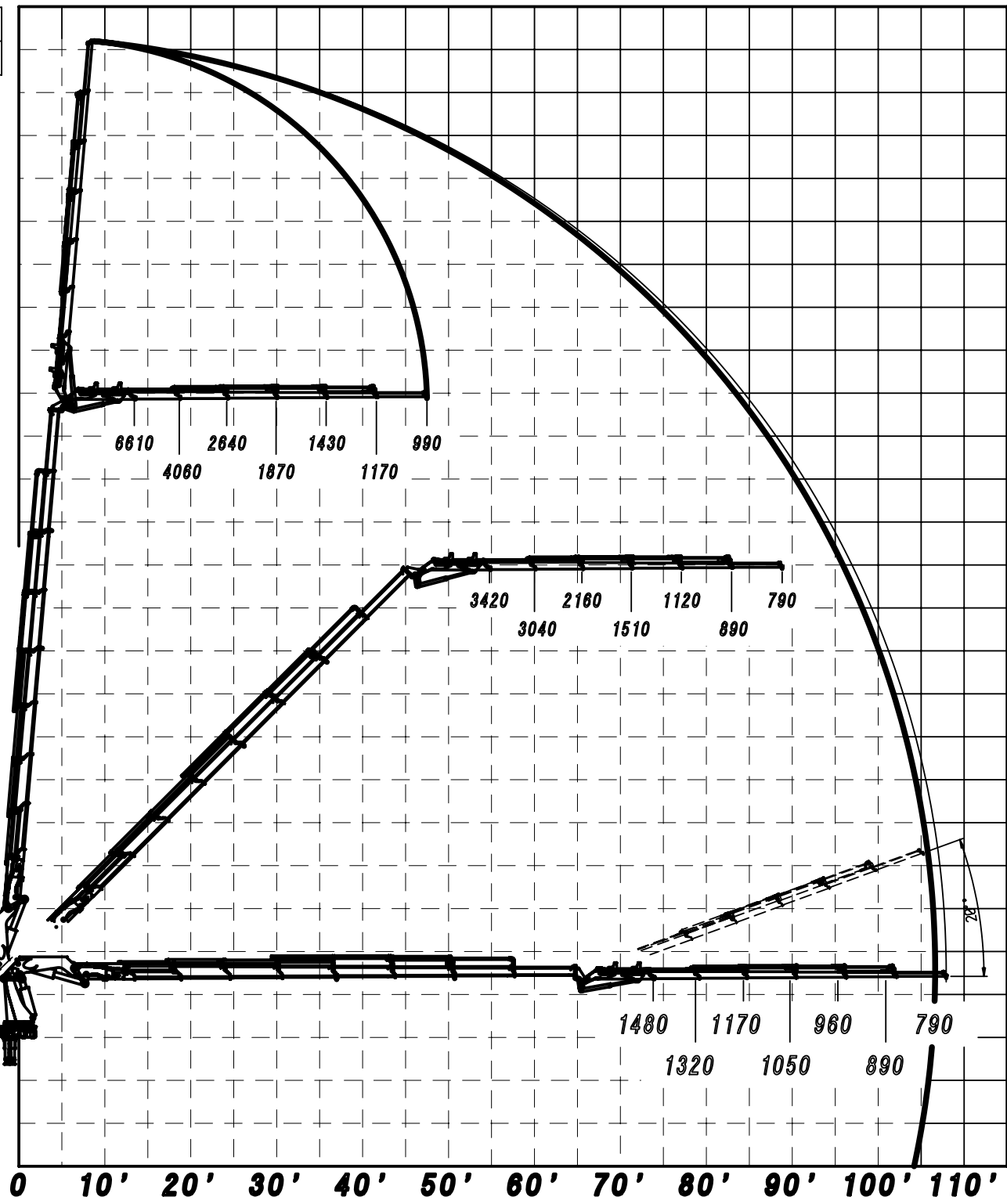
lbs
ft

A

B

C

120'
110'
100'
90'
80'
70'
60'
50'
40'
30'
20'
10'
0
-10'



** 65028 SP PT + J1216.20 ** 189914
19/06/2012

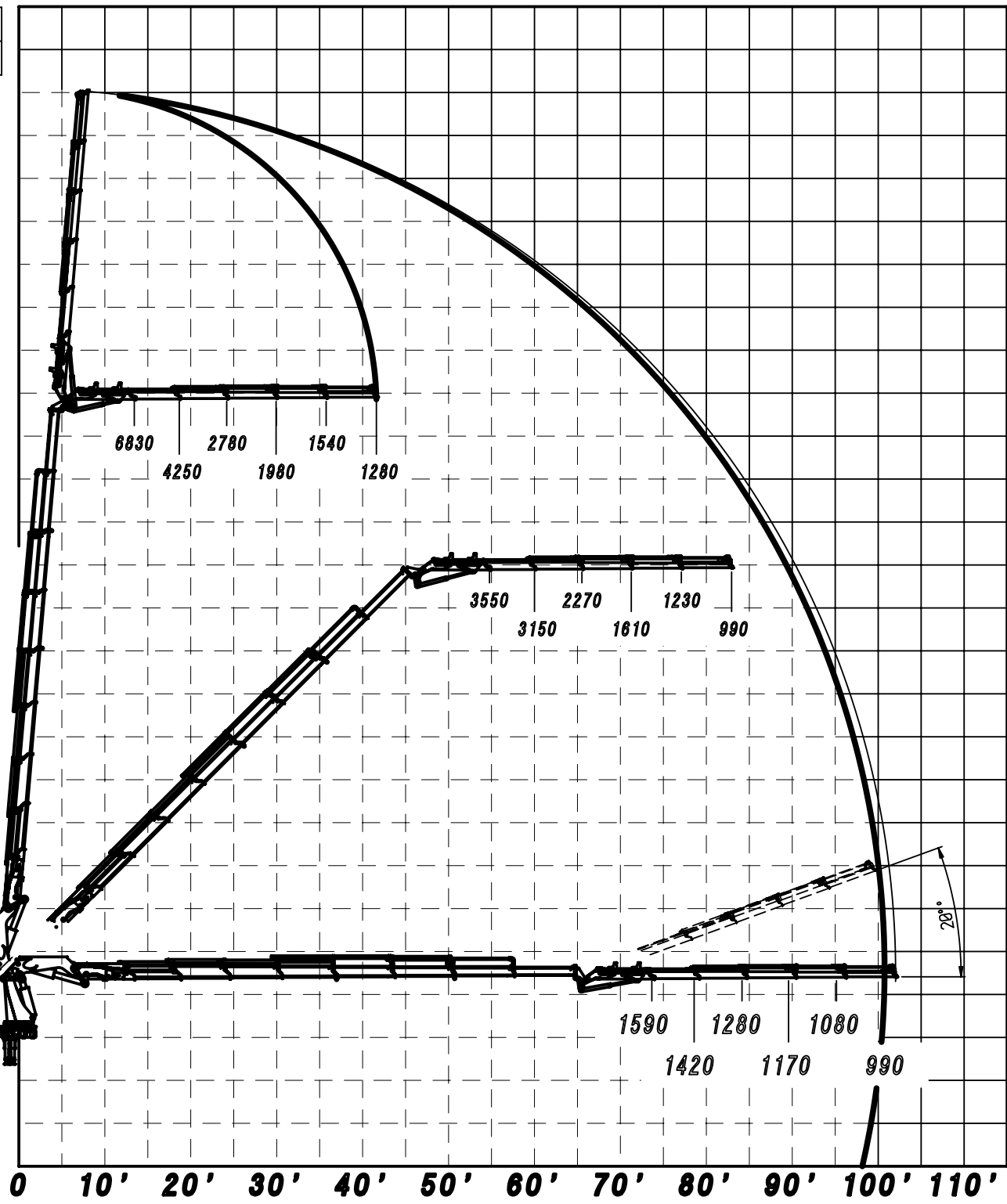
lbs
ft

A

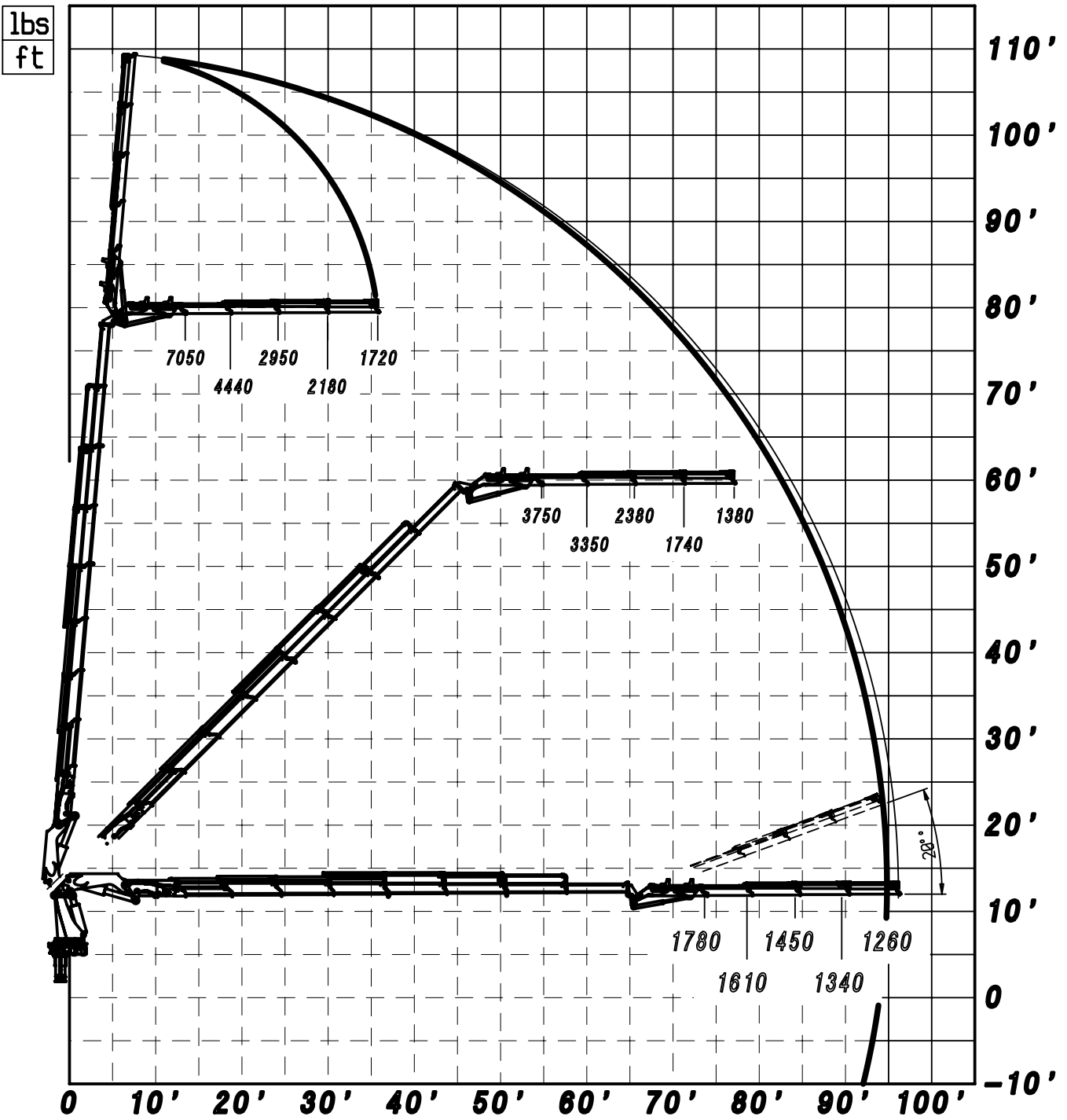
B

C

120'
110'
100'
90'
80'
70'
60'
50'
40'
30'
20'
10'
0
-10'

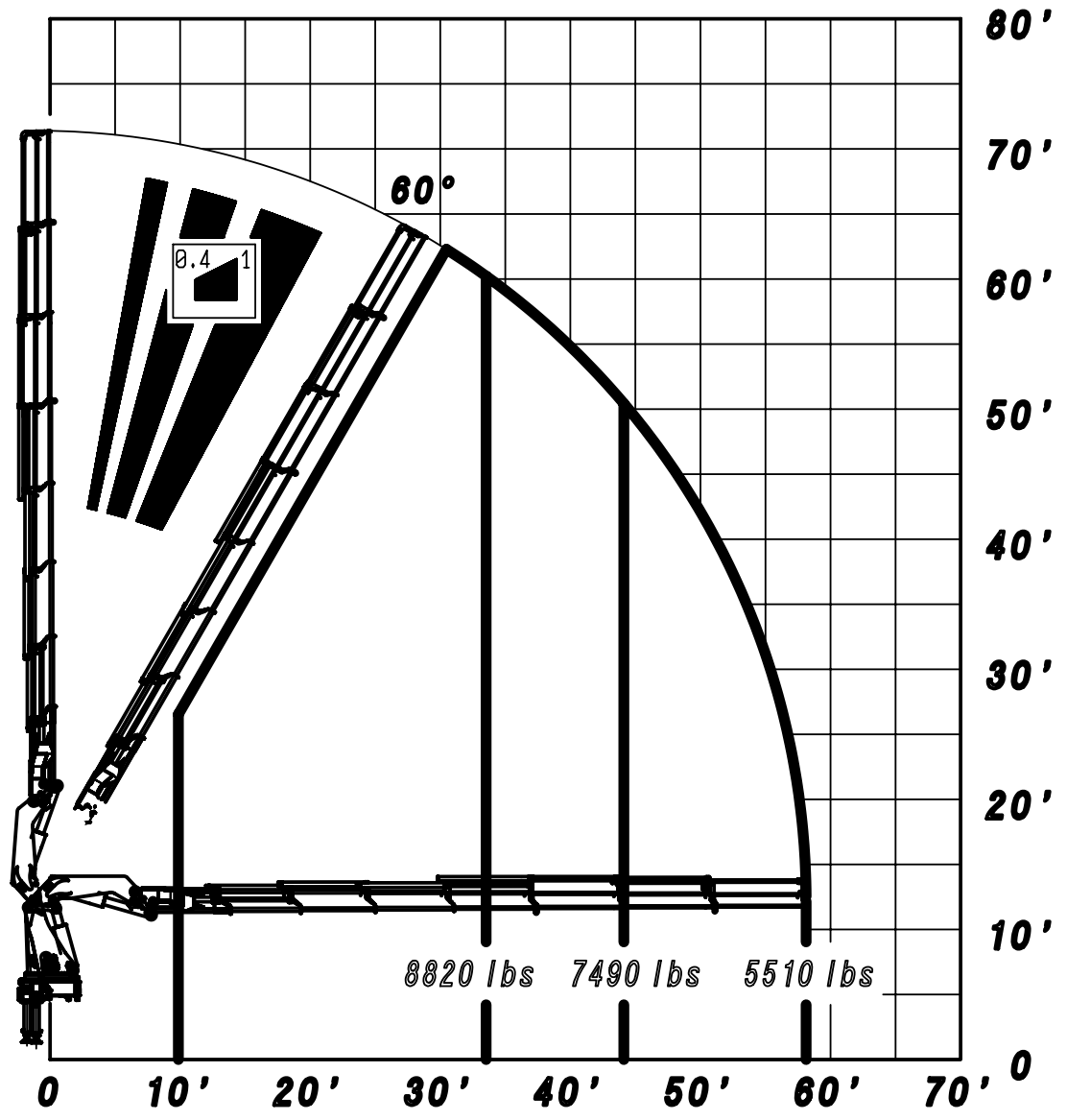



** 65028 SP PT + J1215.20 ** 189913
19/06/2012







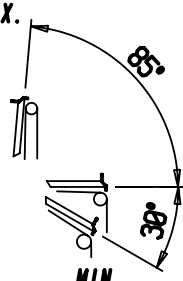

** 65028 SP PT + J1214.20 ** 189912
19/06/2012

lbs
ft



 **MAX 2.5 T**
Classe: M 3 (UNI ISO 4301/1)

CAPACITY	
 4° - 4410 lbs	} x2
 3° - 4630 lbs	
 2° - 5070 lbs	
 1° - 5510 lbs	

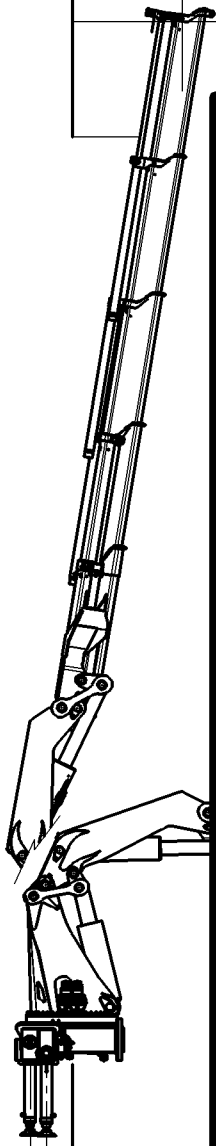
MAX.  85°
MIN.  30°

** 65027 SP PT+TC2 ** 189975

06/11/2012

0 10' 20' 30' 40'

lbs
ft



13230 lbs

10800 lbs

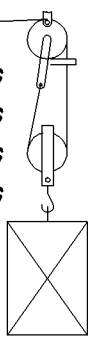
50'
40'
30'
20'
10'
0



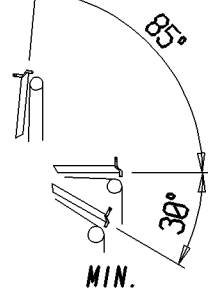
MAX 3.0T
Classe: M 3 (UNI ISO 4301/1)

CAPACITY

- 4° - 6615 lbs
- 3° - 7055 lbs
- 2° - 7715 lbs
- 1° - 8380 lbs



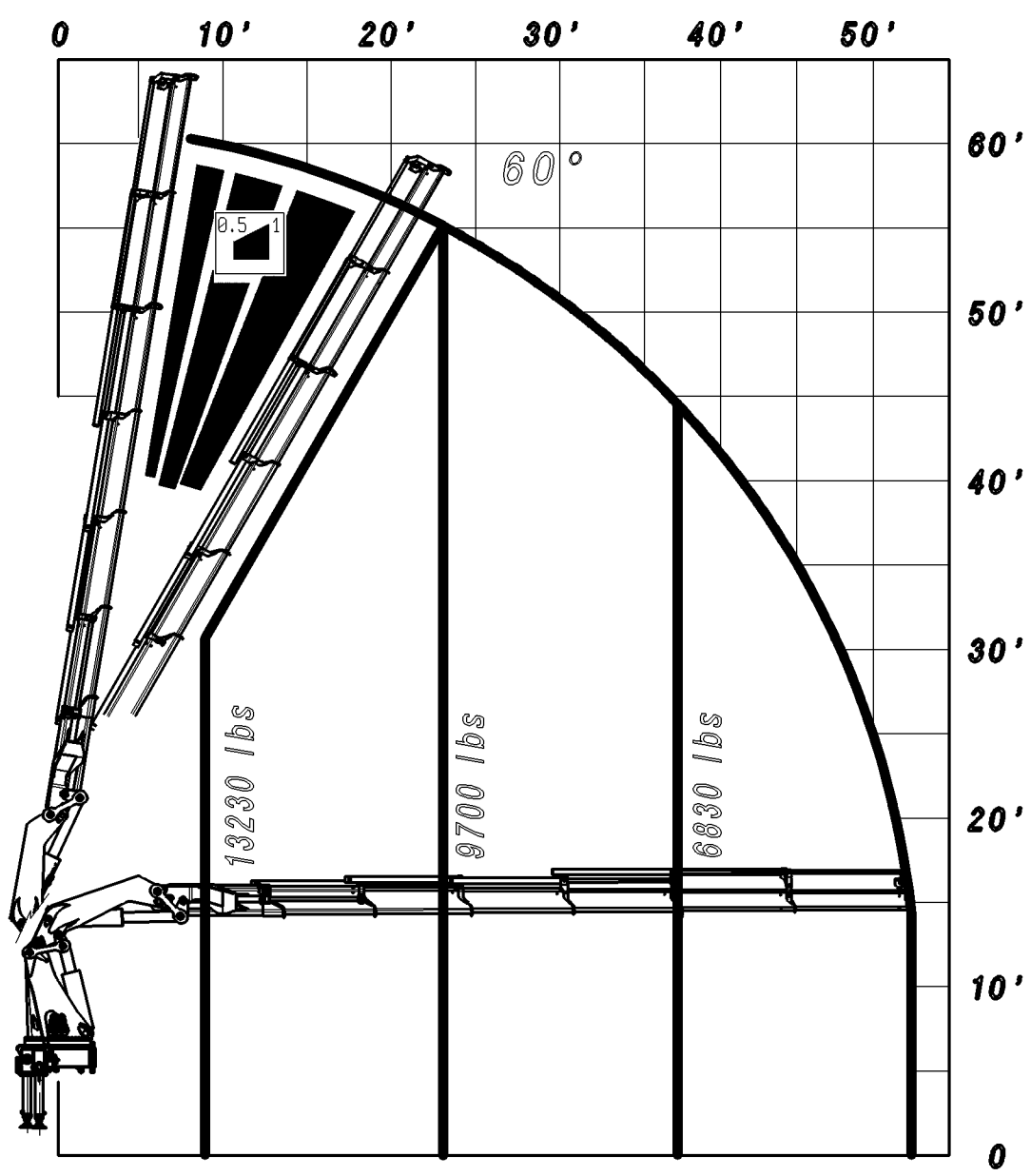
MAX.








A


B

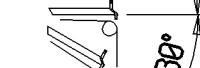
C



 **MAX 3.0T**
Classe: M 3 (UNI ISO 4301/1)

CAPACITY	
	4° - 6615 lbs
	3° - 7055 lbs
	2° - 7715 lbs
	1° - 8380 lbs

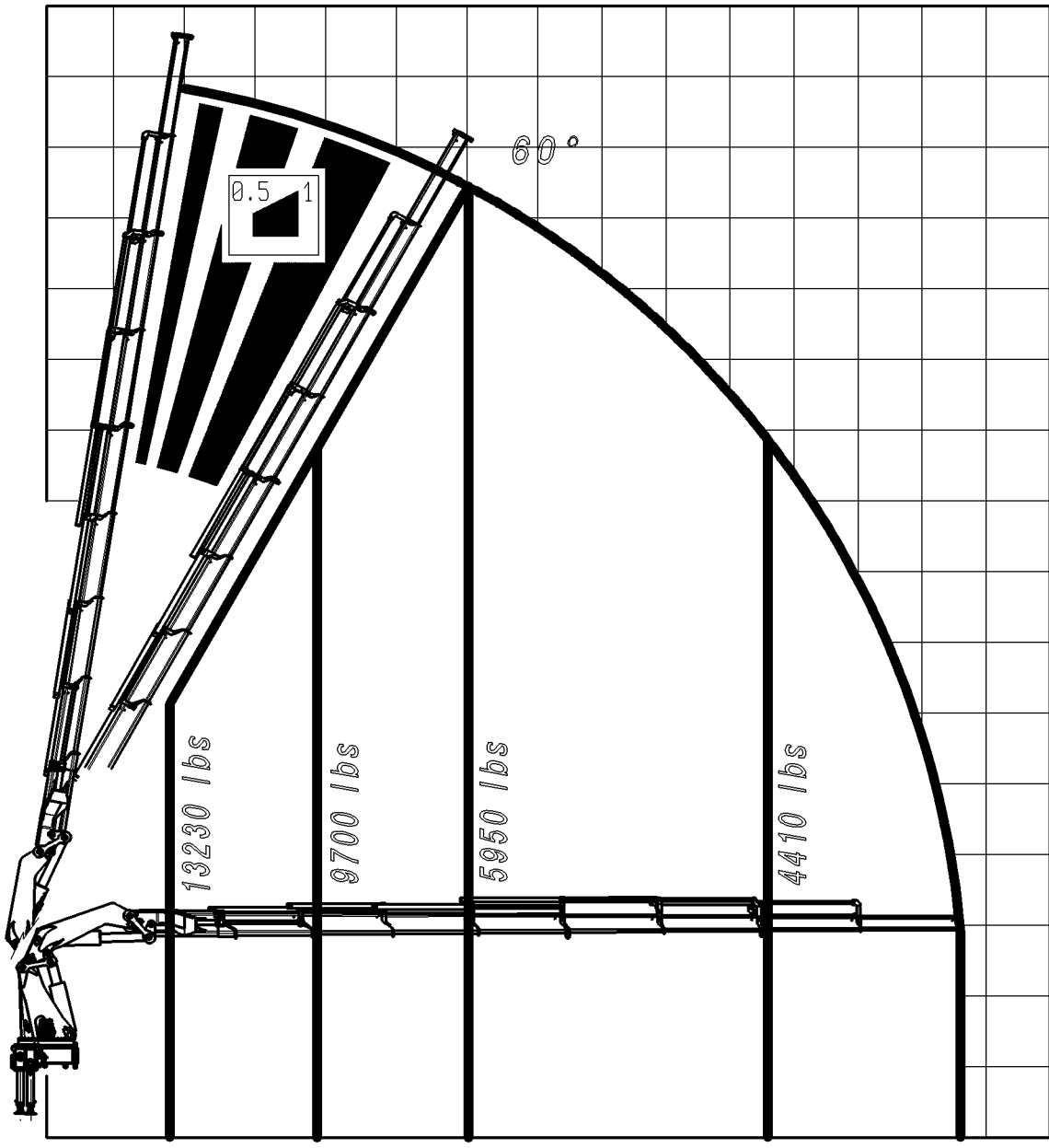
MAX.  85°

MIN.  30°

0 10' 20' 30' 40' 50' 60' 70'

A


lbs
ft







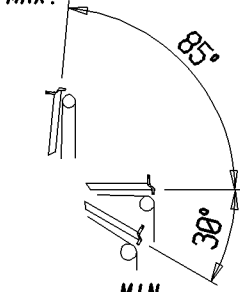

70'
60'
50'
40'
30'
20'
10'
0

B

C

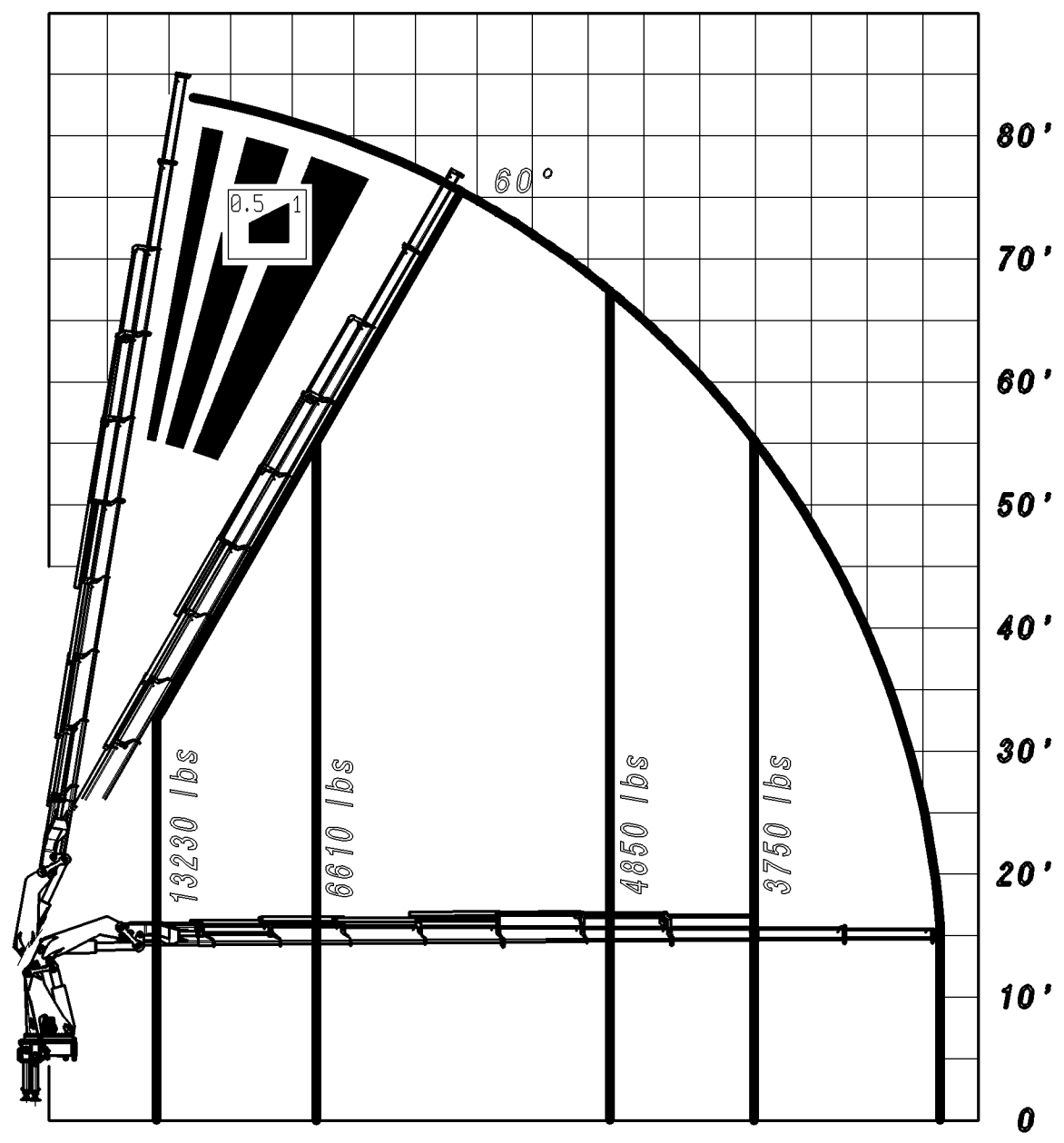
 **MAX 3.0T**
Classe: M 3 (UNI ISO 4301/1)


CAPACITY	
	4°- 6615 lbs
	3°- 7055 lbs
	2°- 7715 lbs
	1°- 8380 lbs





MAX.  85°
MIN.  30°



0 10' 20' 30' 40' 50' 60' 70'

lbs
ft



 **MAX 3.0T**
Classe: M 3 (UNI ISO 4301/1)

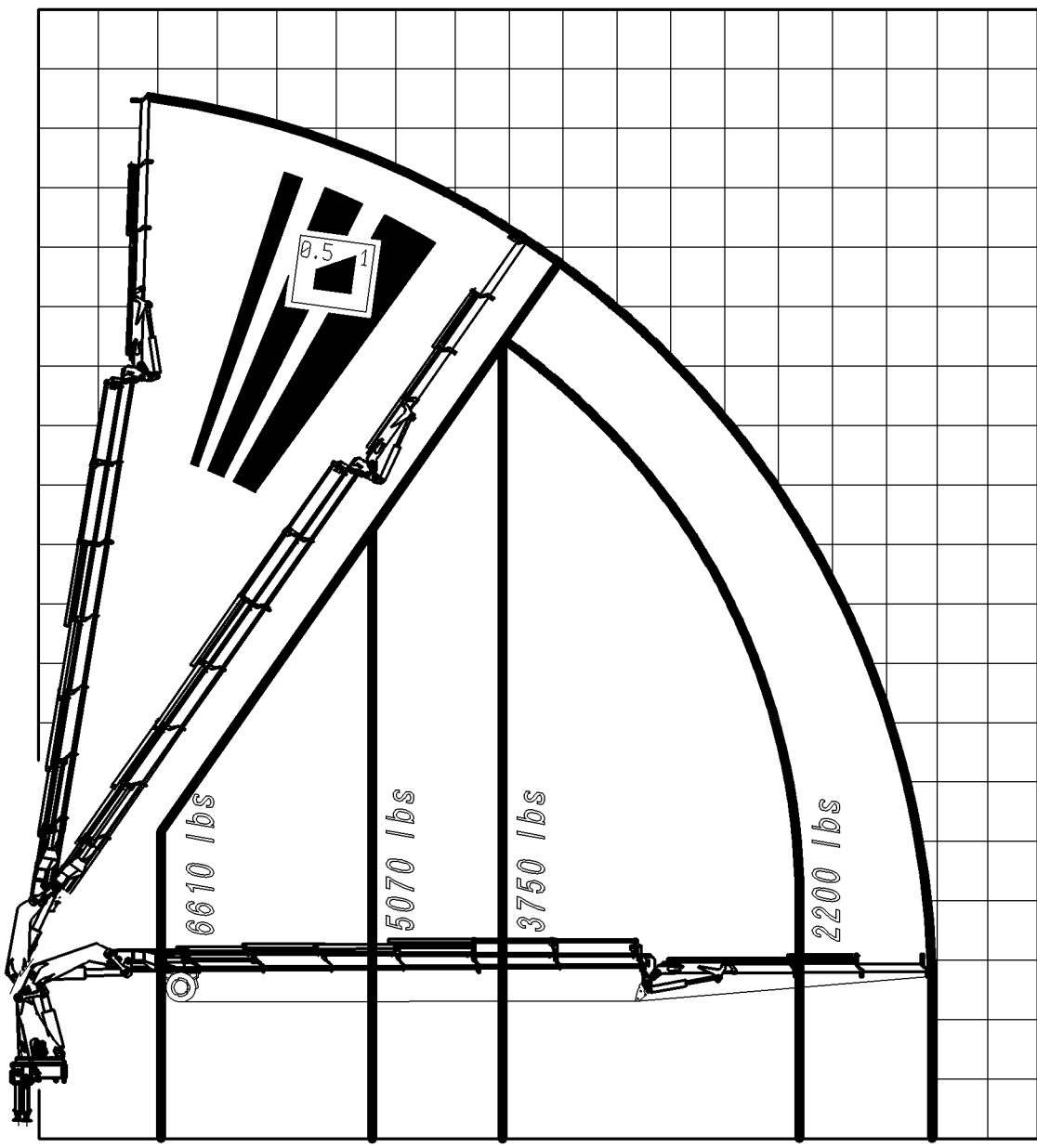
CAPACITY	
	4° - 6615 lbs
	3° - 7055 lbs
	2° - 7715 lbs
	1° - 8380 lbs


MAX.  85°
MIN.  30°





0 10' 20' 30' 40' 50' 60' 70' 80'

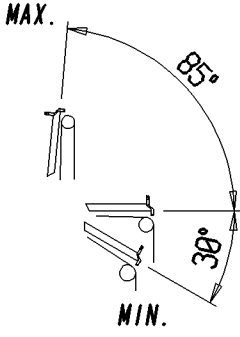

lbs
ft

90'
80'
70'
60'
50'
40'
30'
20'
10'
0



 **MAX 3.0 T**
 Classe: M 3 (UNI ISO 4301/1)

CAPACITY	
	4°- 6615 lbs.
	3°- 7055 lbs.
	2°- 7715 lbs.
	1°- 8380 lbs.

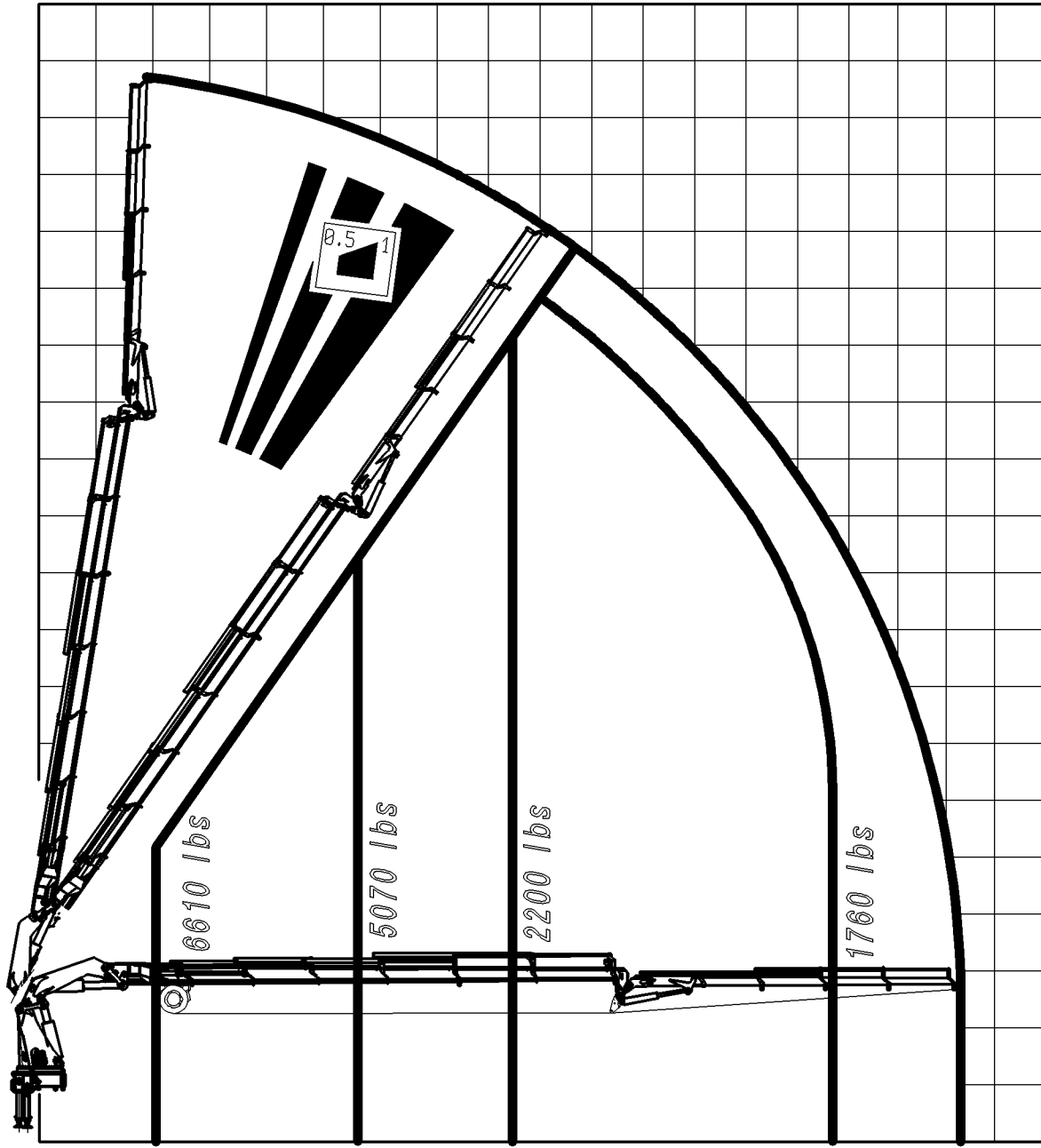
MAX.  85°
MIN.  30°


0 10' 20' 30' 40' 50' 60' 70' 80' 90'





A
B
C

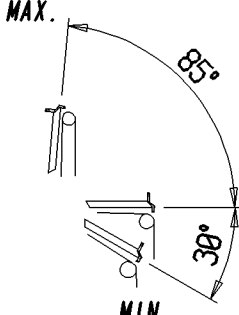

lbs
ft

90'
80'
70'
60'
50'
40'
30'
20'
10'
0



 **MAX 3.0 T**
Classe: M 3 (UNI ISO 4301/1)

CAPACITY	
	4° - 6615 lbs.
	3° - 7055 lbs.
	2° - 7715 lbs.
	1° - 8380 lbs.

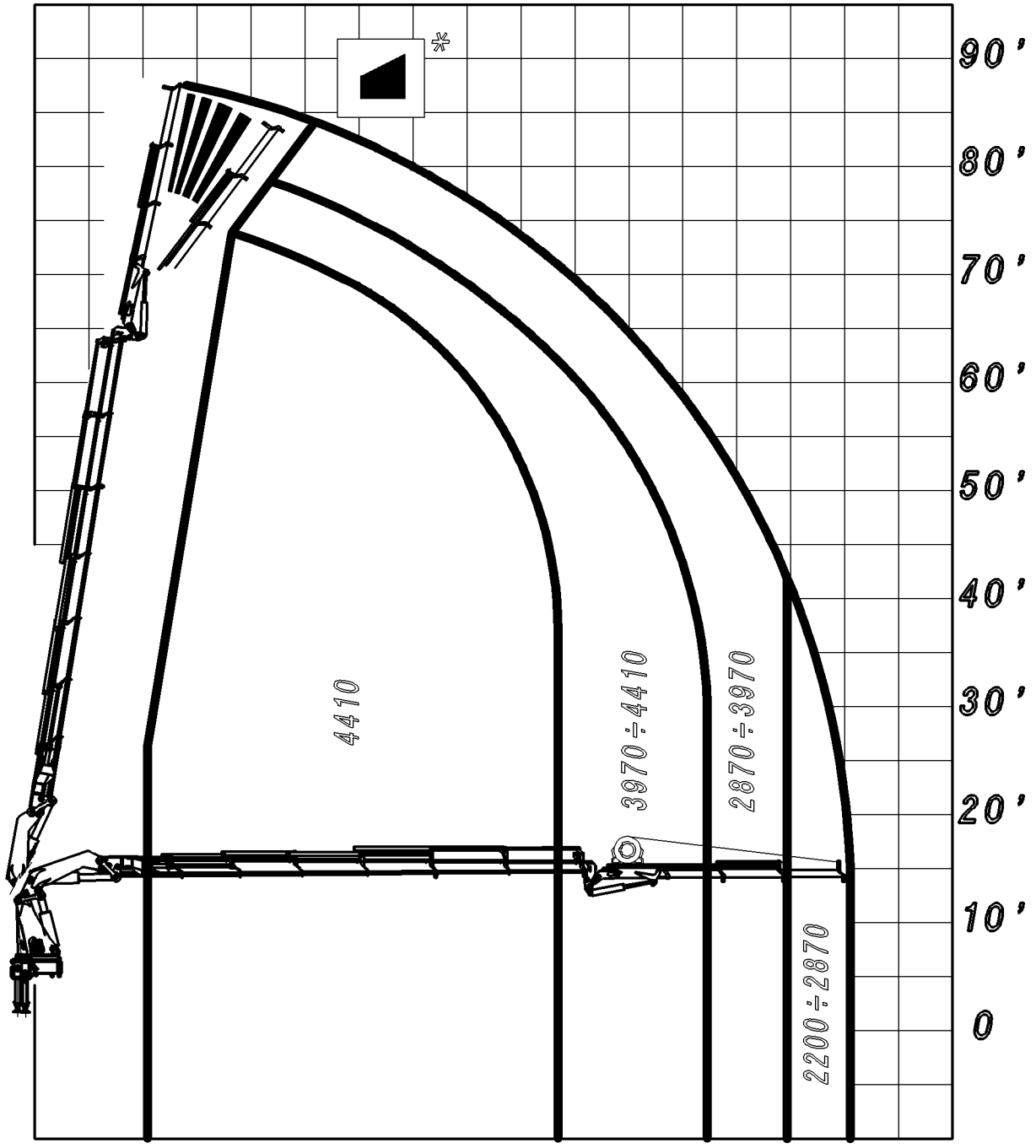
MAX.  85°
MIN.  30°

** 65026 SP PT+J904.20+TC3 ** 190627


09/10/2007






0 10' 20' 30' 40' 50' 60' 70' 80'


lbs
ft

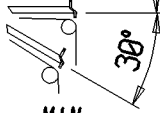


* Controlled Area

 **MAX 2.5 T**
 Classe: M 3 (UNI ISO 4301/1)

CAPACITY	
	5° - 3970 lbs
	4° - 4190 lbs
	3° - 4630 lbs
	2° - 4850 lbs
	1° - 5510 lbs

MAX.  85°

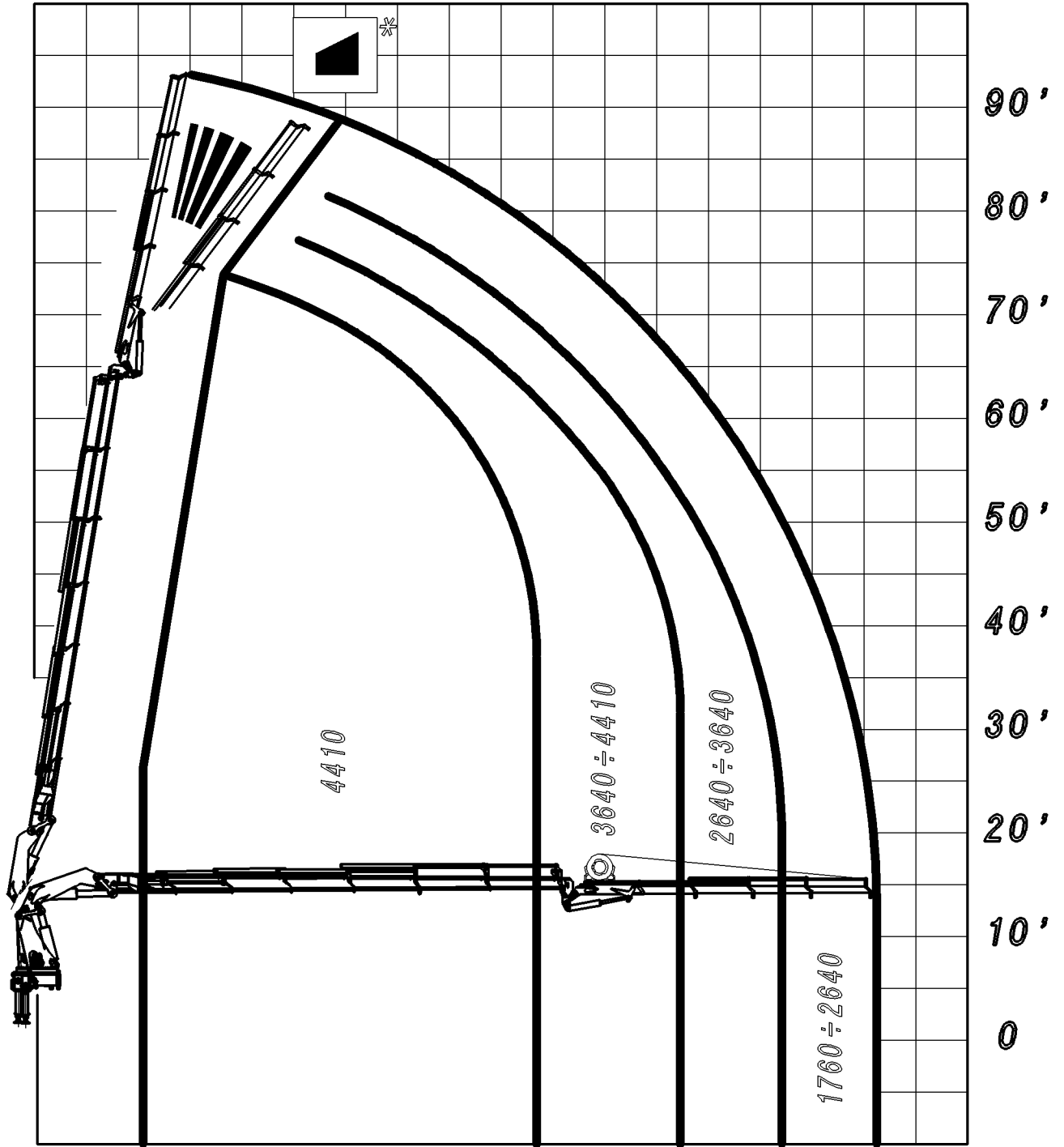
MIN.  30°

** 65026 SP PT+J903.20+TC2 ** 190976


09/10/2007






0 10' 20' 30' 40' 50' 60' 70' 80'

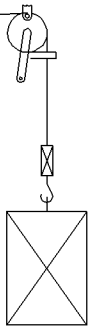
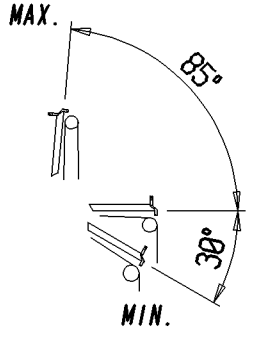
lbs
ft



* Controlled Area


MAX 2.5 T
 Classe: M 3 (UNI ISO 4301/1)

CAPACITY	
	5°- 3970 lbs
	4°- 4190 lbs
	3°- 4630 lbs
	2°- 4850 lbs
	1°- 5510 lbs

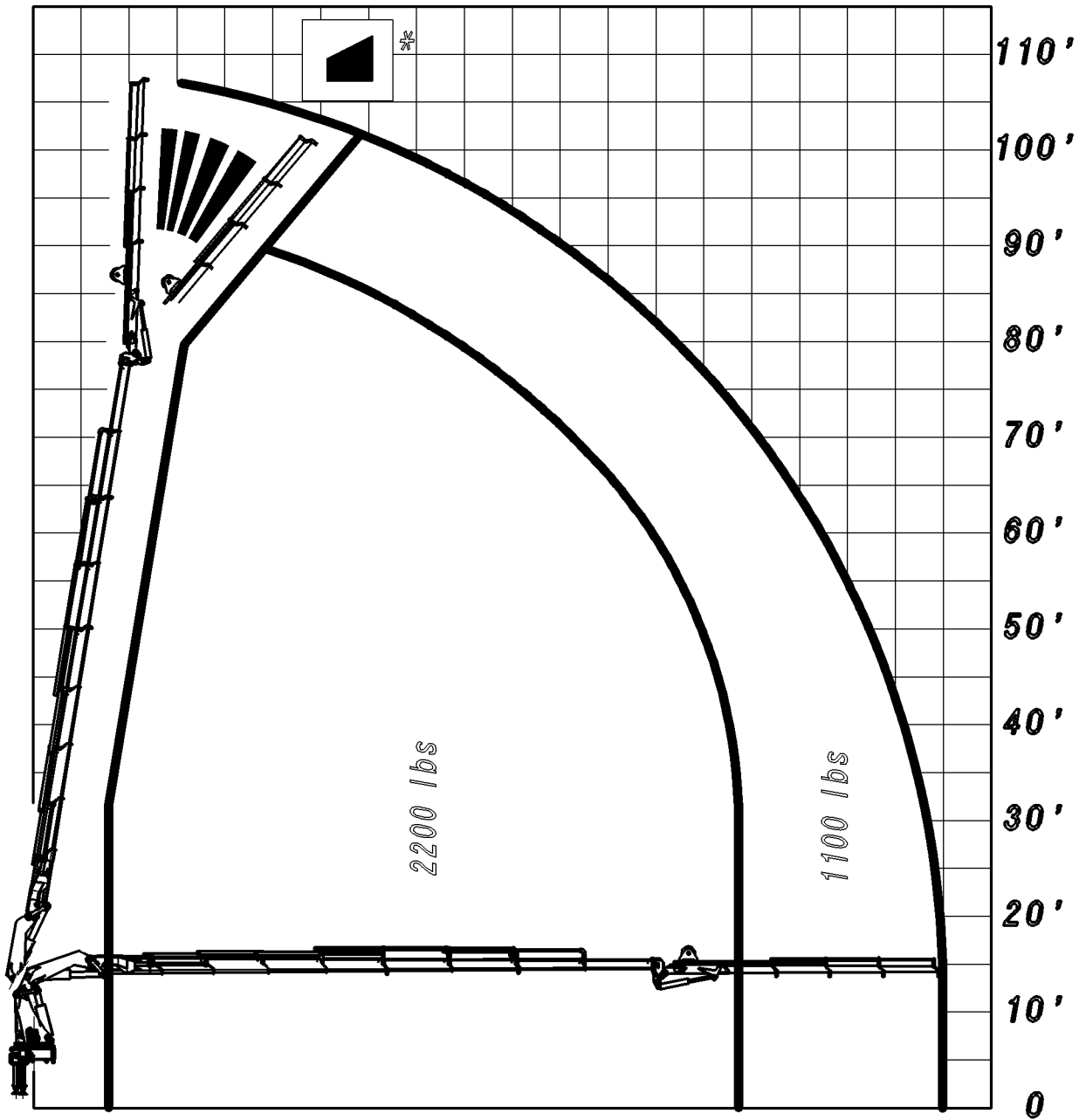



** 65026 SP PT+J904.20+TC2 ** 190977

09/10/2007

0 10' 20' 30' 40' 50' 60' 70' 80' 90'

lbs
ft



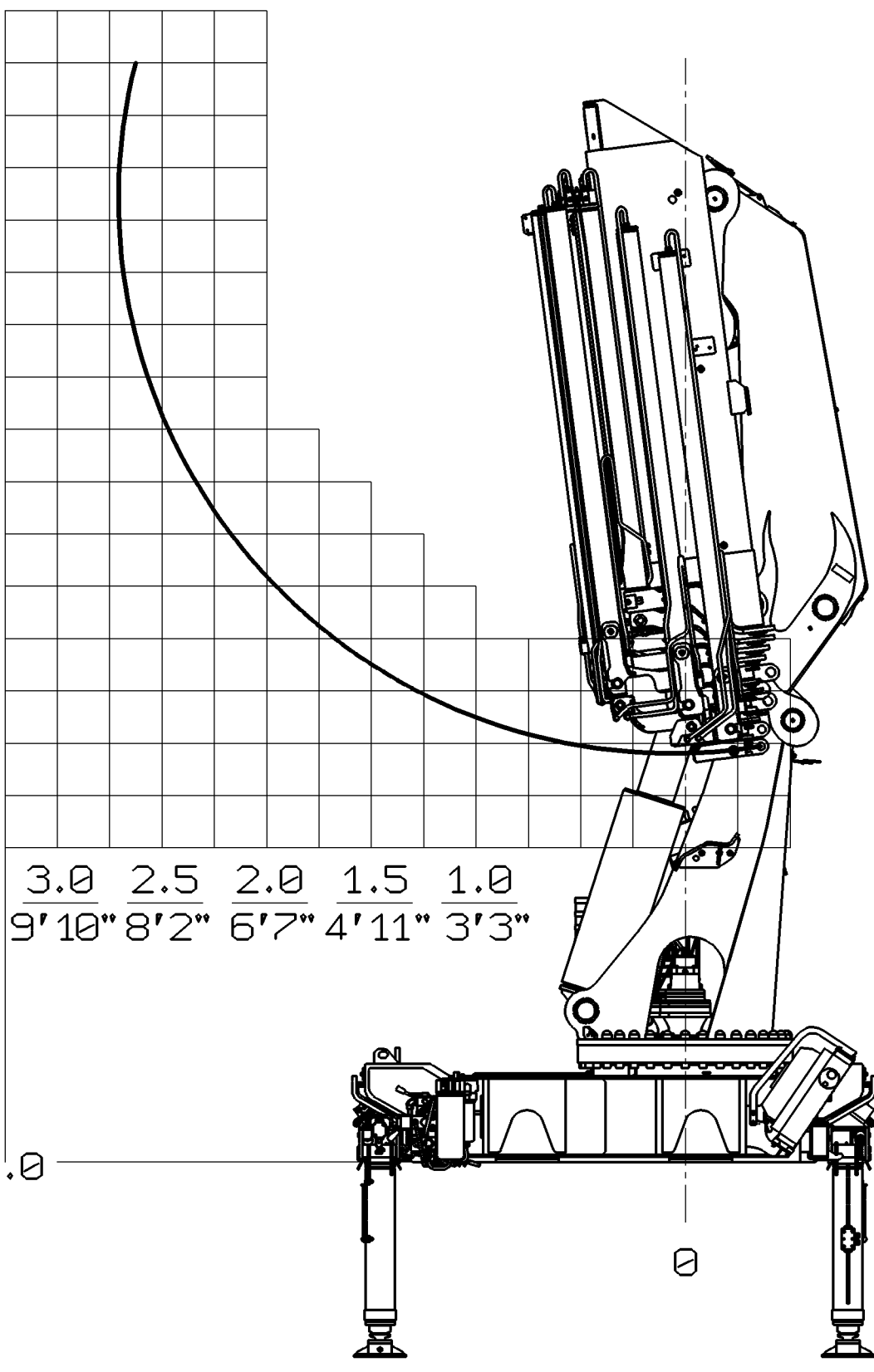
* *Controlled Area*

	MAX 1.0 T Classe: M 3 (UNI ISO 4301/1)
CAPACITY	
5° - 1985 lbs	
4° - 2205 lbs	
3° - 2315 lbs	
2° - 2535 lbs	
1° - 2755 lbs	

** 65028 SP PT+J714.20+TC1 ** 190970

05/10/2007

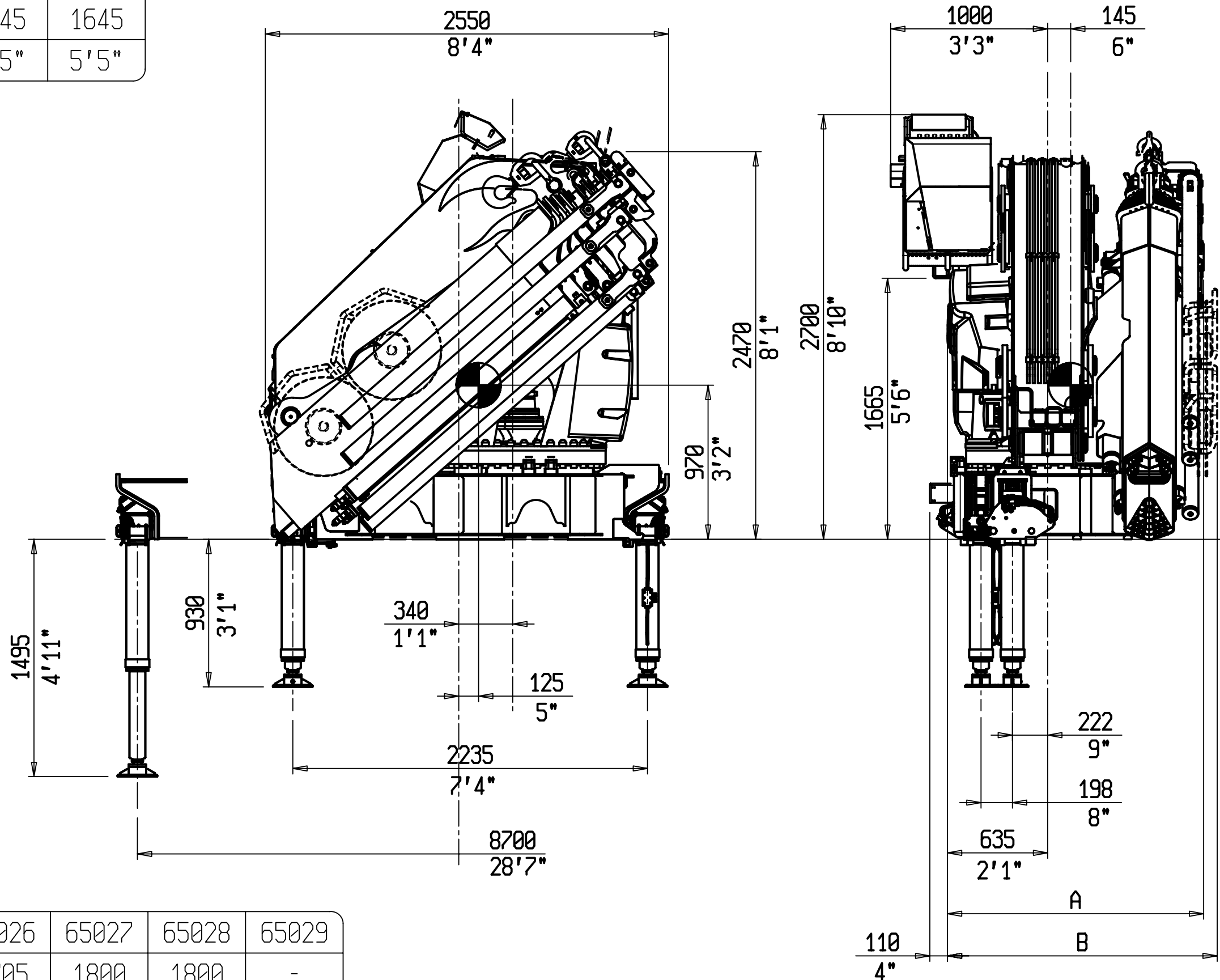
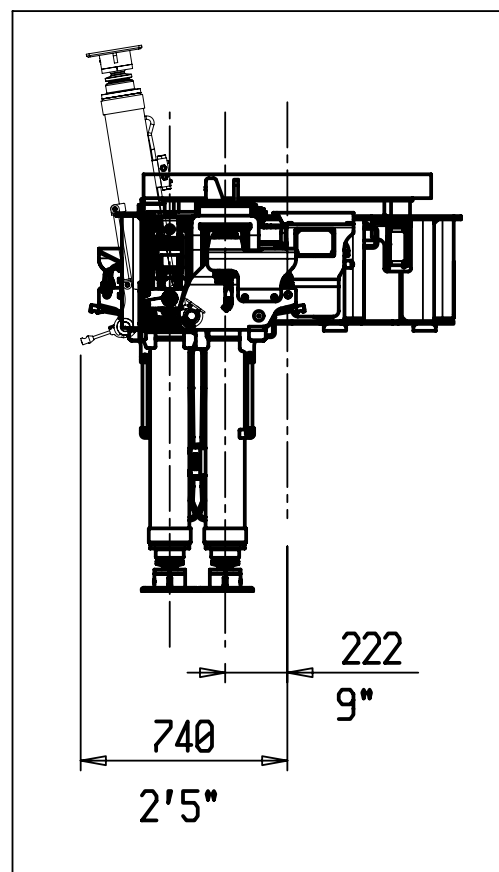
5.5
18'1"
5.0
16'5"
4.5
14'9"
4.0
13'1"
3.5
11'6"
3.0
9'10"
2.5
8'2"
2.0
6'7"



3.0 2.5 2.0 1.5 1.0
9'10" 8'2" 6'7" 4'11" 3'3"

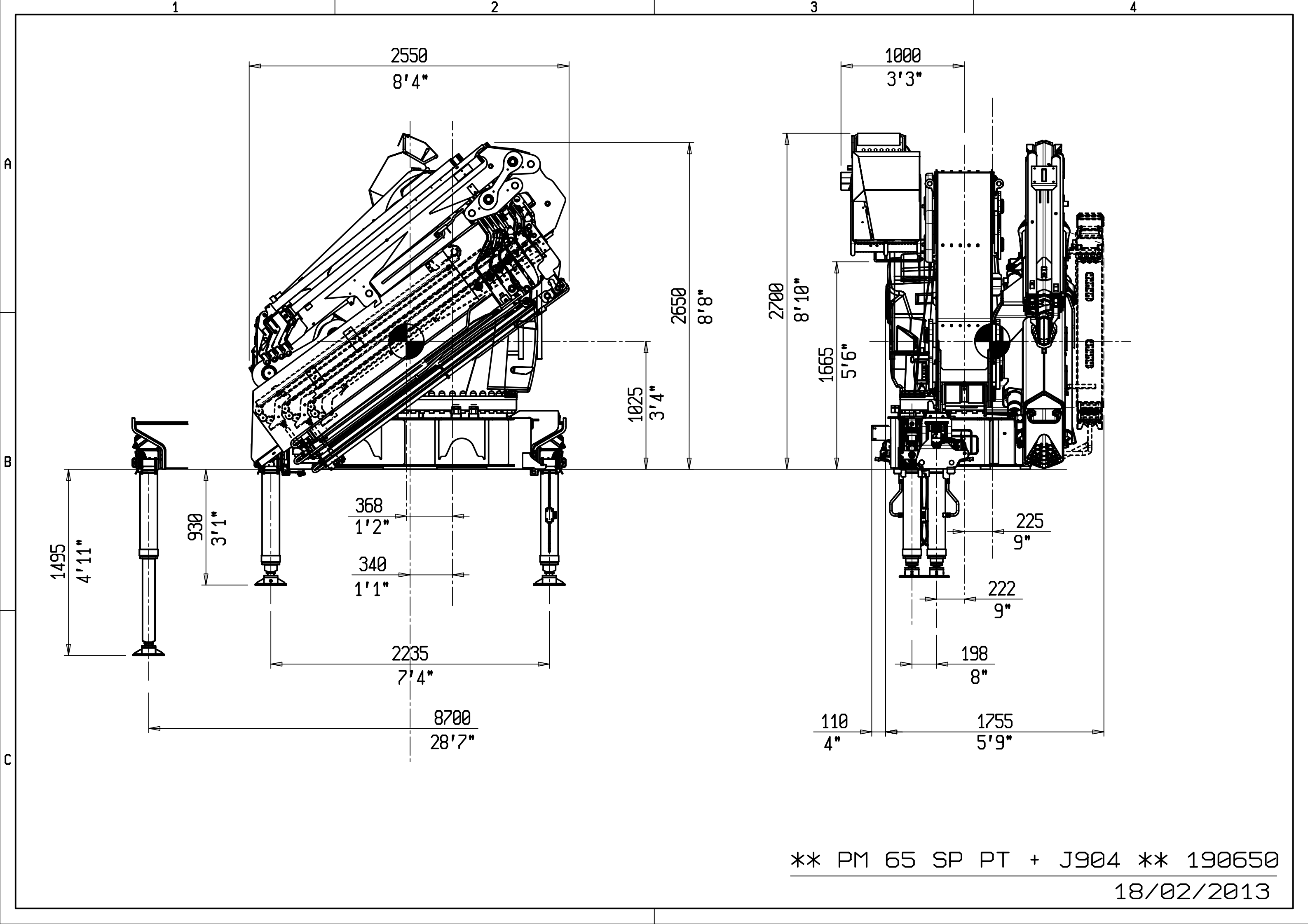
0.0

	65024	65026	65027	65028	65029
A (mm)	1535	1535	1645	1645	1645
A (Ft)	5'	5'	5'5"	5'5"	5'5"



B	65024	65026	65027	65028	65029
Avvolgi tubo (mm)	1705	1705	1800	1800	-
Raccogli tubo (mm)	-	1755	1840	1875	-
Avvolgi tubo (ft)	5'7"	5'7"	5'11"	5'11"	-
Raccogli tubo (ft)	-	5'9"	6'	6'2"	-

** PM 65 SP PT ** 190647
18/02/2013



1

2

3

4

A

B

C

2550
8'4"

1000
3'3"

1495
4'11"

930
3'1"

368
1'2"

340
1'1"

2235
7'4"

8700
28'7"

1025
3'4"

2650
8'8"

2700
8'10"

1665
5'6"

225
9"

222
9"

198
8"

110
4"

1755
5'9"

** PM 65 SP PT + J904 ** 190650

18/02/2013

1

2

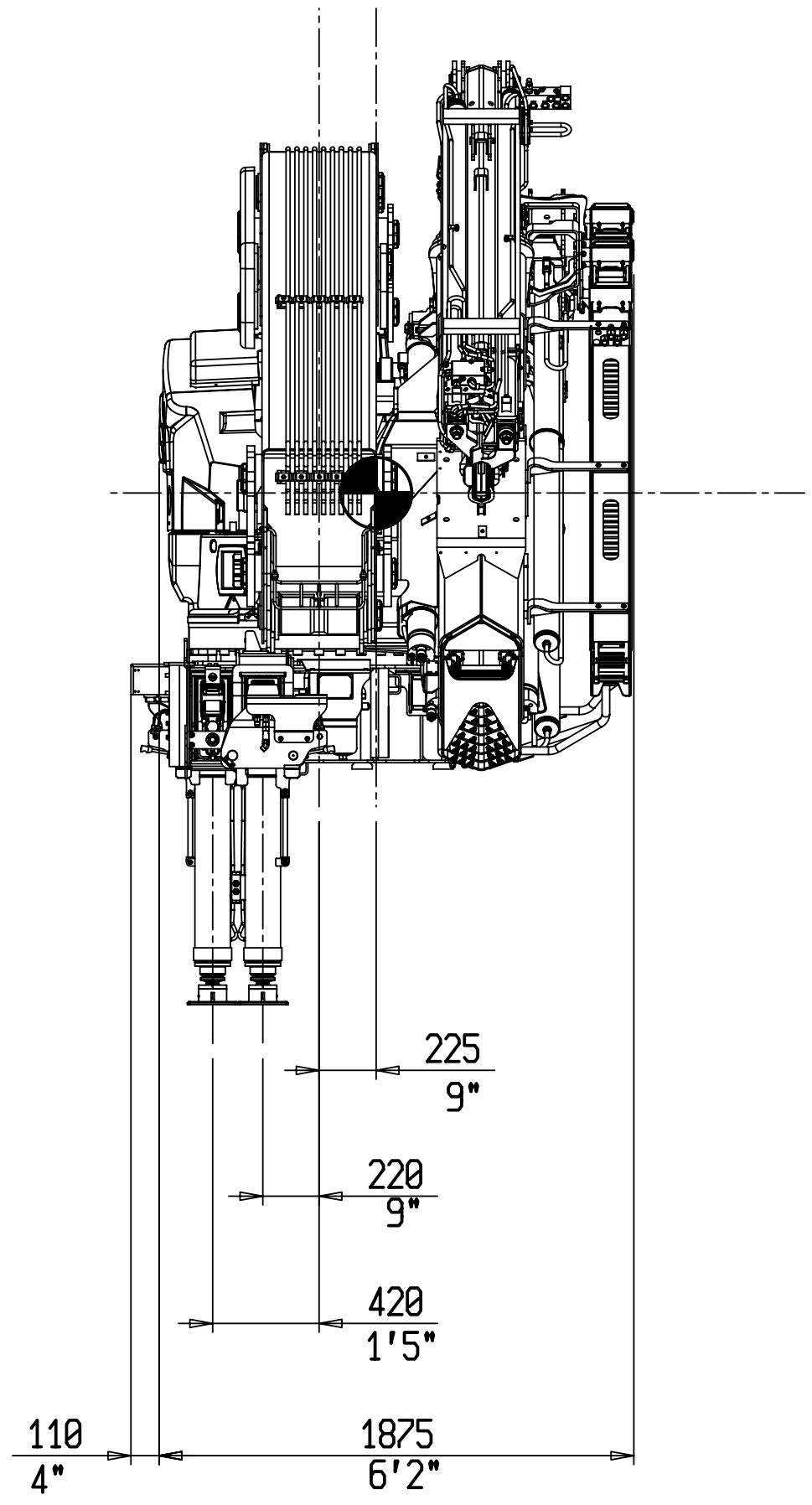
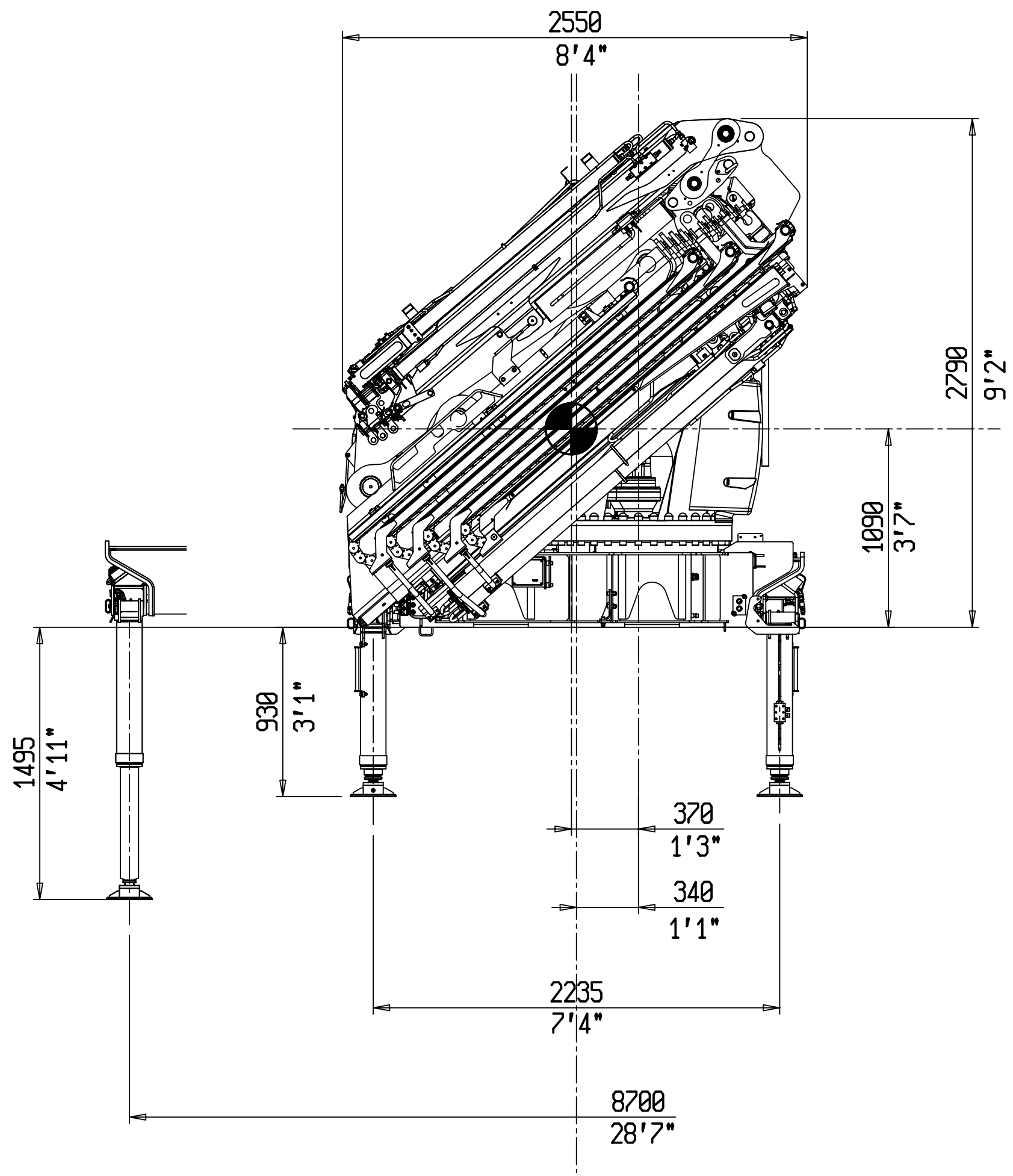
3

4

A

B

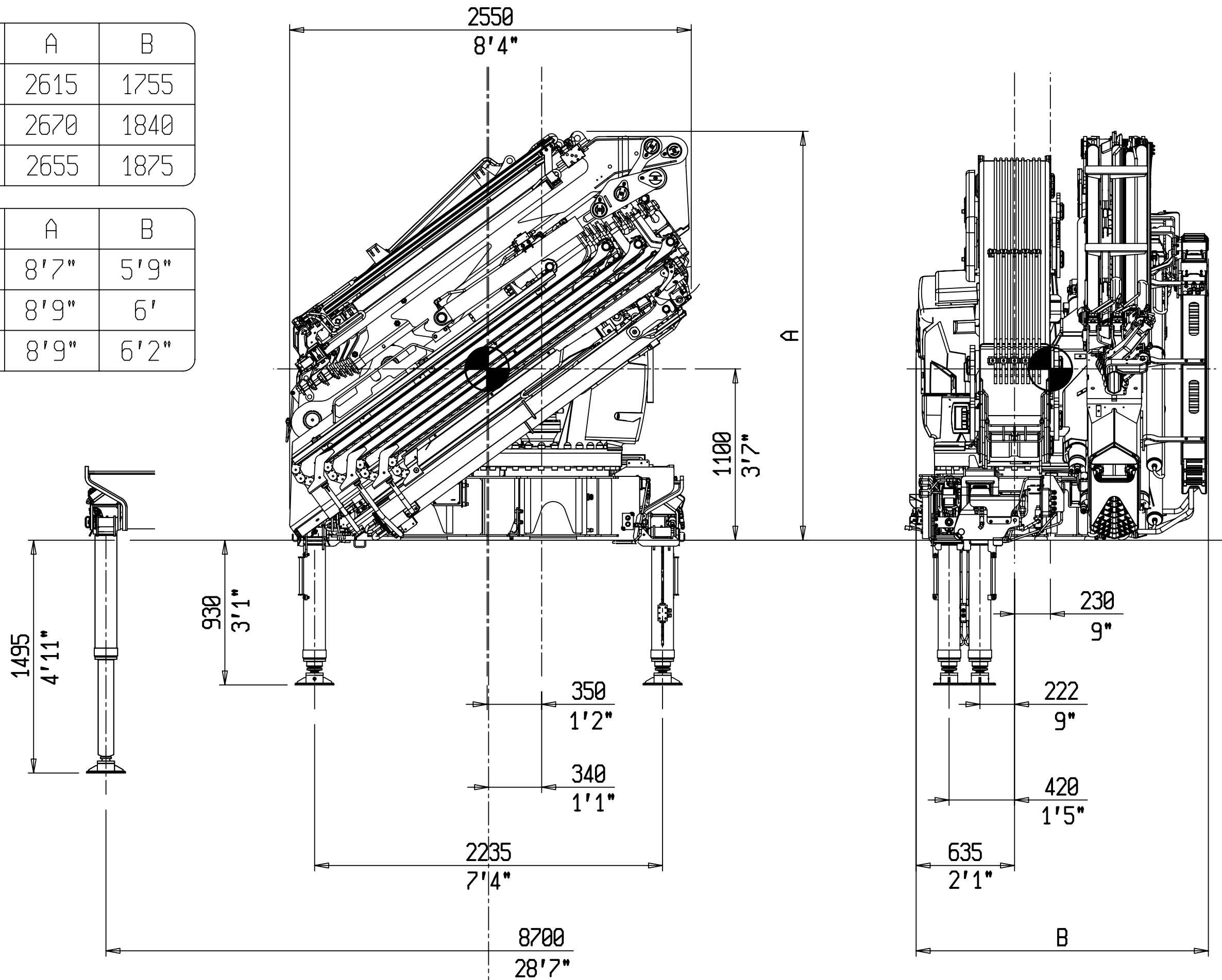
C



** PM 65 SP PT+J714.20 ** 190982
 18/02/2013

	A	B
65026 + J 1410.20	2615	1755
65027 + J 1210.20	2670	1840
65028 + J 1210.20	2655	

	A	B
65026 + J 1410.20	8'7"	5'9"
65027 + J 1210.20	8'9"	6'
65028 + J 1210.20	8'9"	6'2"



** PM 65 SP PT+ J1410.20 e J1210.20 ** 189915

18/02/2013

1

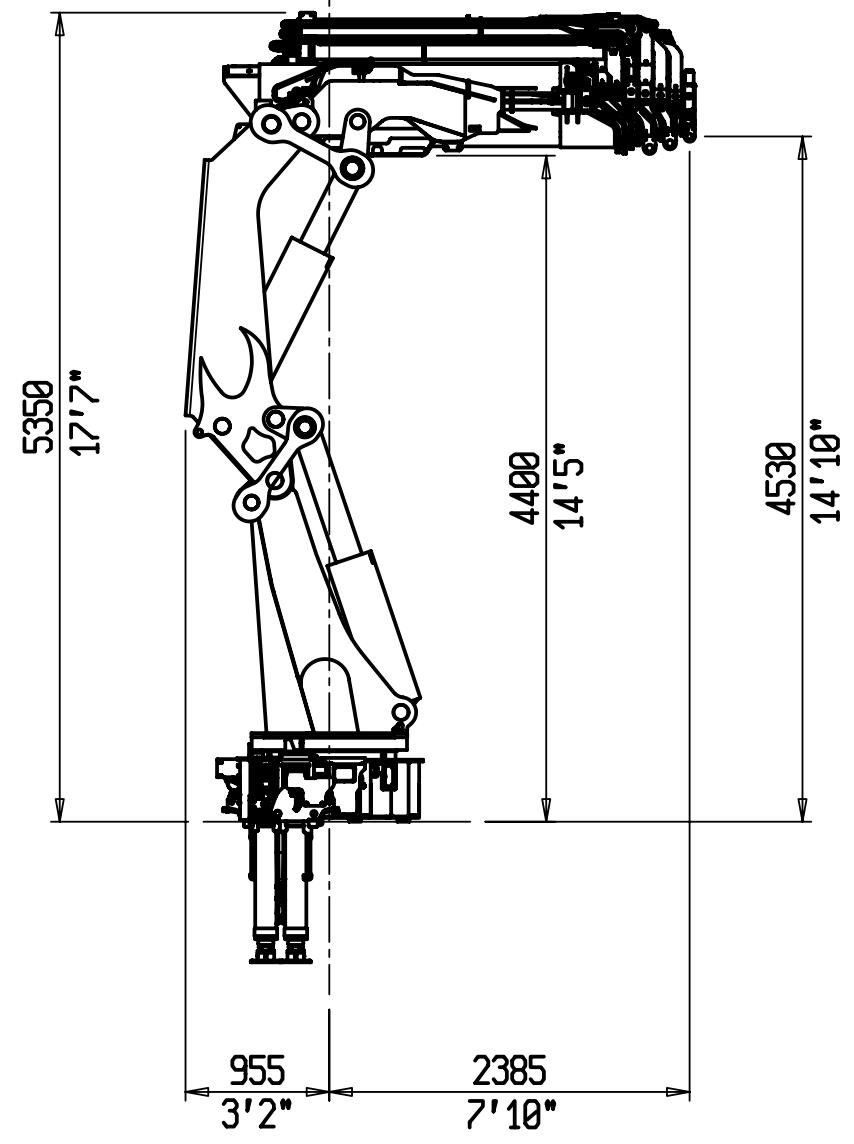
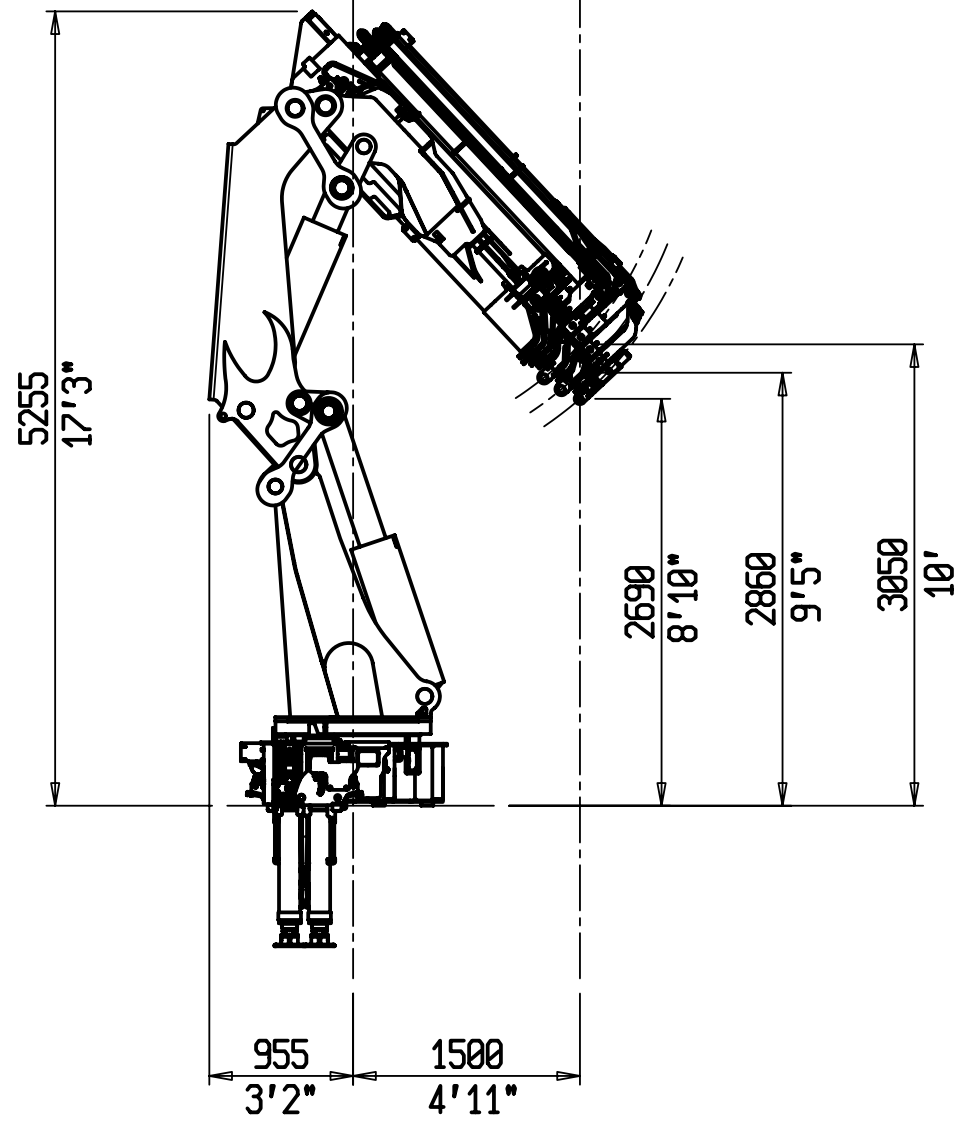
2

3

4

A

B



** PM 65 SP PT ** 189917

03/07/2012